

219mm

203mm

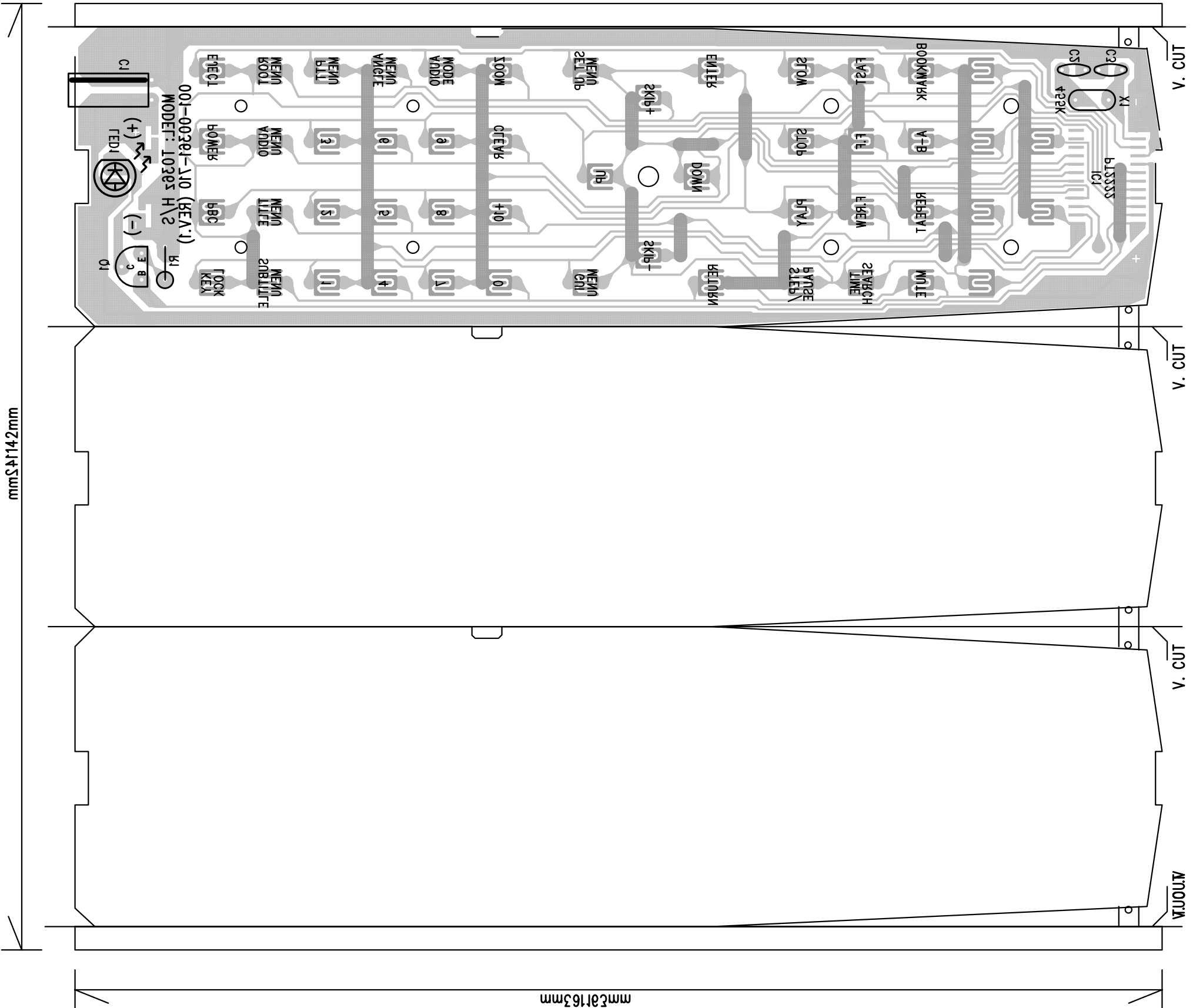
P/N: 001-00360-100 (REV.7)

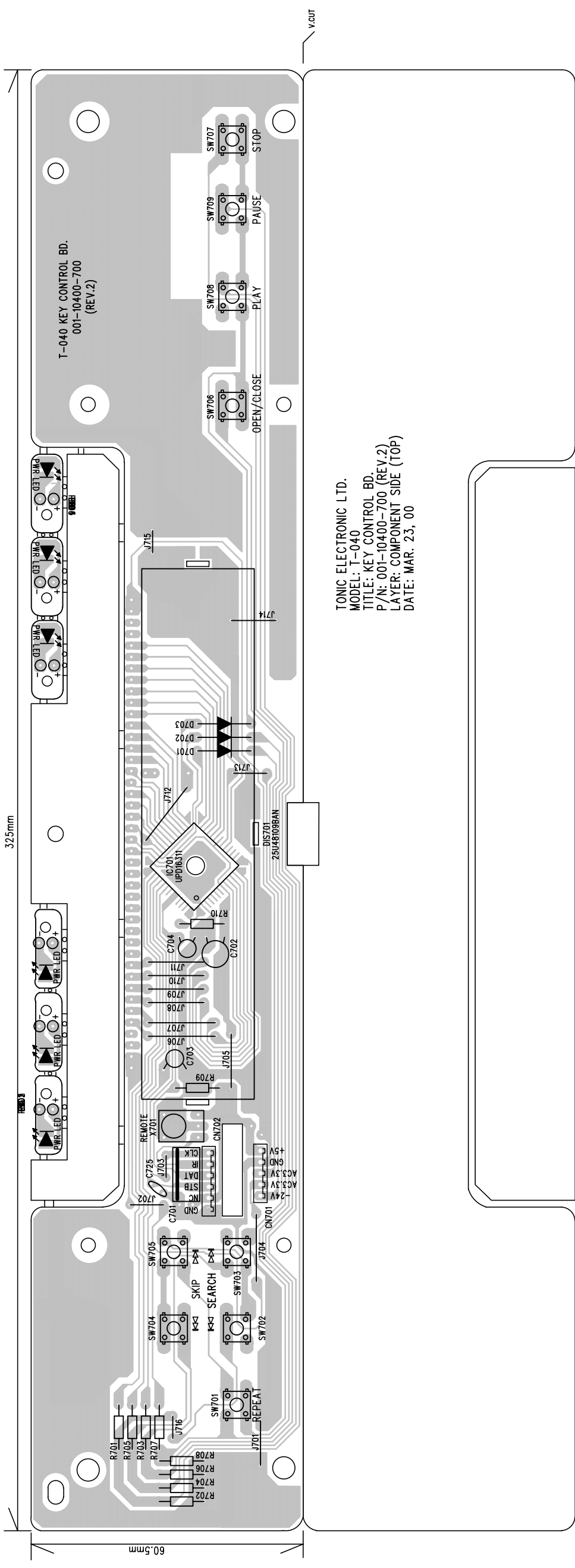
P/N: 001-00360-100 (REV.7)

TONIC ELECTRONIC LTD.
 MODEL: T-036
 TITLE: T-036 MPEG BD.
 (IN/OUT BD. & MPEG BD.)
 P/N: 001-00360-100 (REV.7)
 DATE: Apr. 18, 00
 LAYER: COMPONENT SIDE (TOP VIEW)
 MATERIAL: FIBRIC BOARD (1.2mm)

DATE: 18-9-00
 SCALE: 2:1
 LAYER: COMPONENT SIDE (BOTTOM)
 P/N: 001-00361-110 (REV.1)
 TITLE: HAND SET
 MODEL: T-036Z
 TONIC ELECTRONIC LTD.

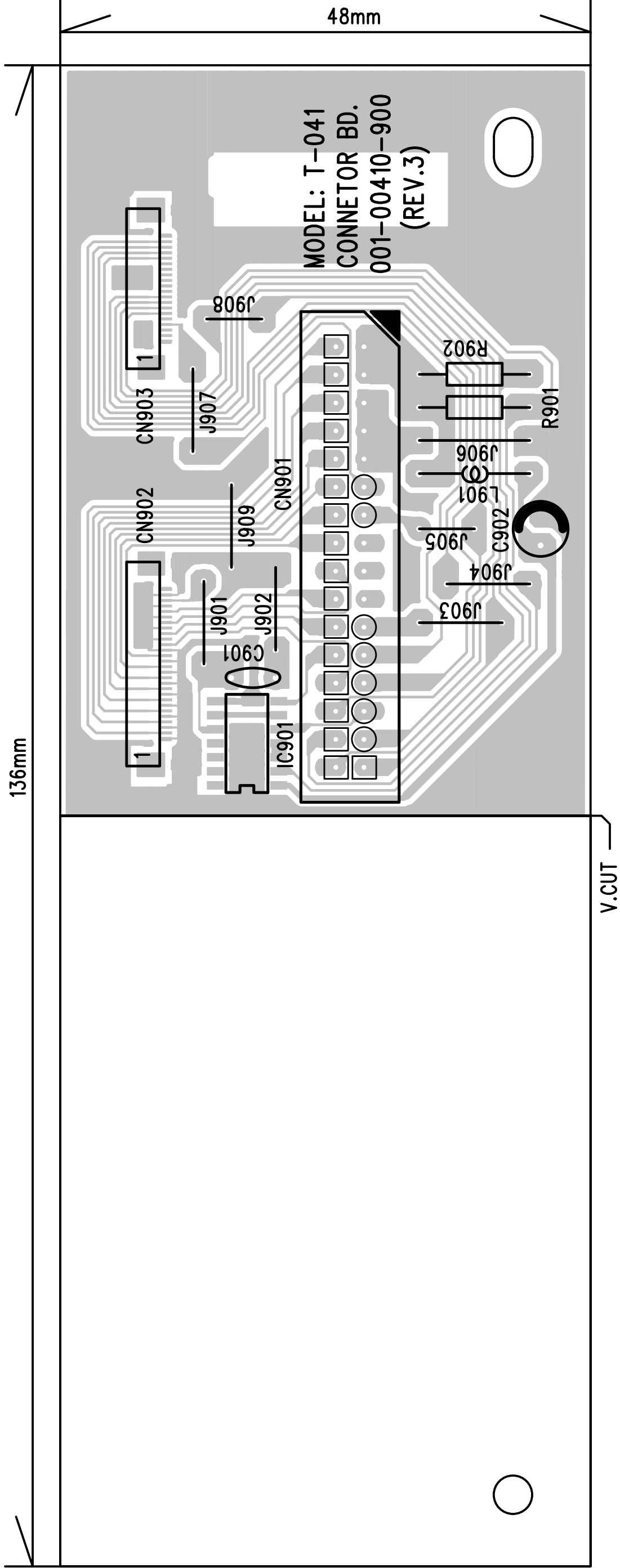
TONIC ELECTRONIC LTD.
 MODEL: T-036Z
 TITLE: HAND SET
 P/N: 001-00361-710 (REV.1)
 LAYER: COPPER PCB (TOP)
 SCALE: 2:1
 DATE: 18-9-00



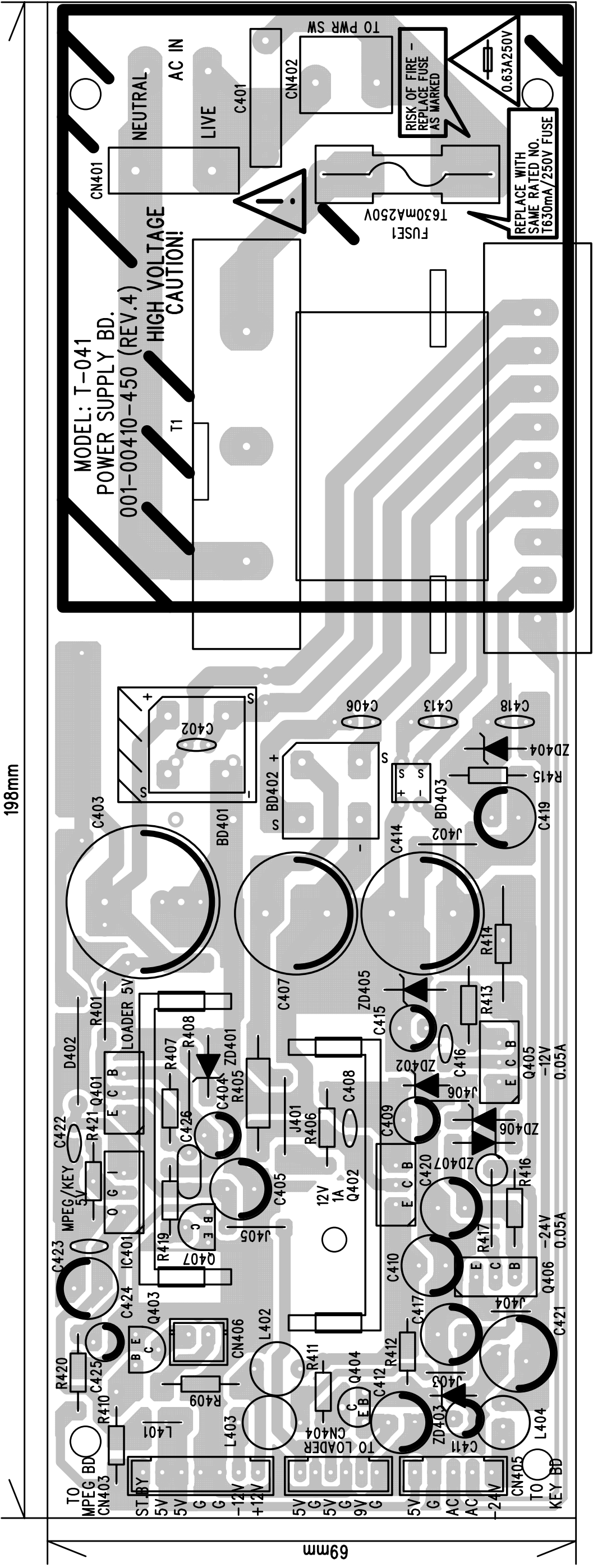


TONIC ELECTRONIC LTD.
 MODEL: T-040
 TITLE: KEY CONTROL BD.
 P/N: 001-10400-700 (REV.2)
 LAYER: COMPONENT SIDE (TOP)
 DATE: MAR. 23, 00

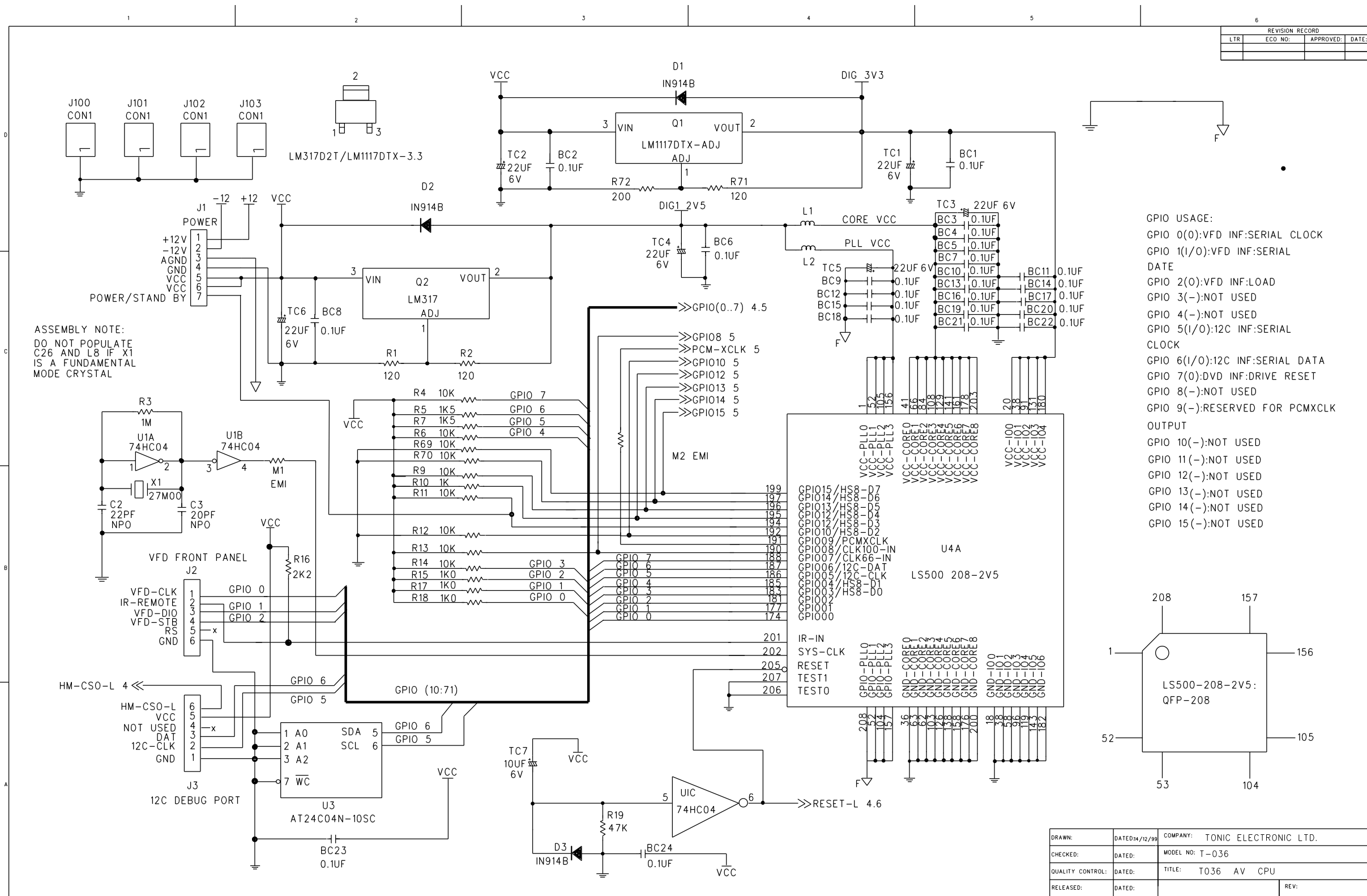
V.CUT



TONIC ELECTRONIC LTD.
 MODEL: T-041
 TITLE: T-041 CONNETOR BD.
 P/N: 001-00410-900 (REV.3)
 DATE: Apr. 20, 00
 LAYER: SILKSCREEN (BOTTOM VIEW)



MODEL: T-041
 TITLE: POWER SUPPLY BD.
 P/N: 001-00410-450 (REV.4)
 DATE: 3-5-00
 COMPONENT SIDE (TOP VIEW)

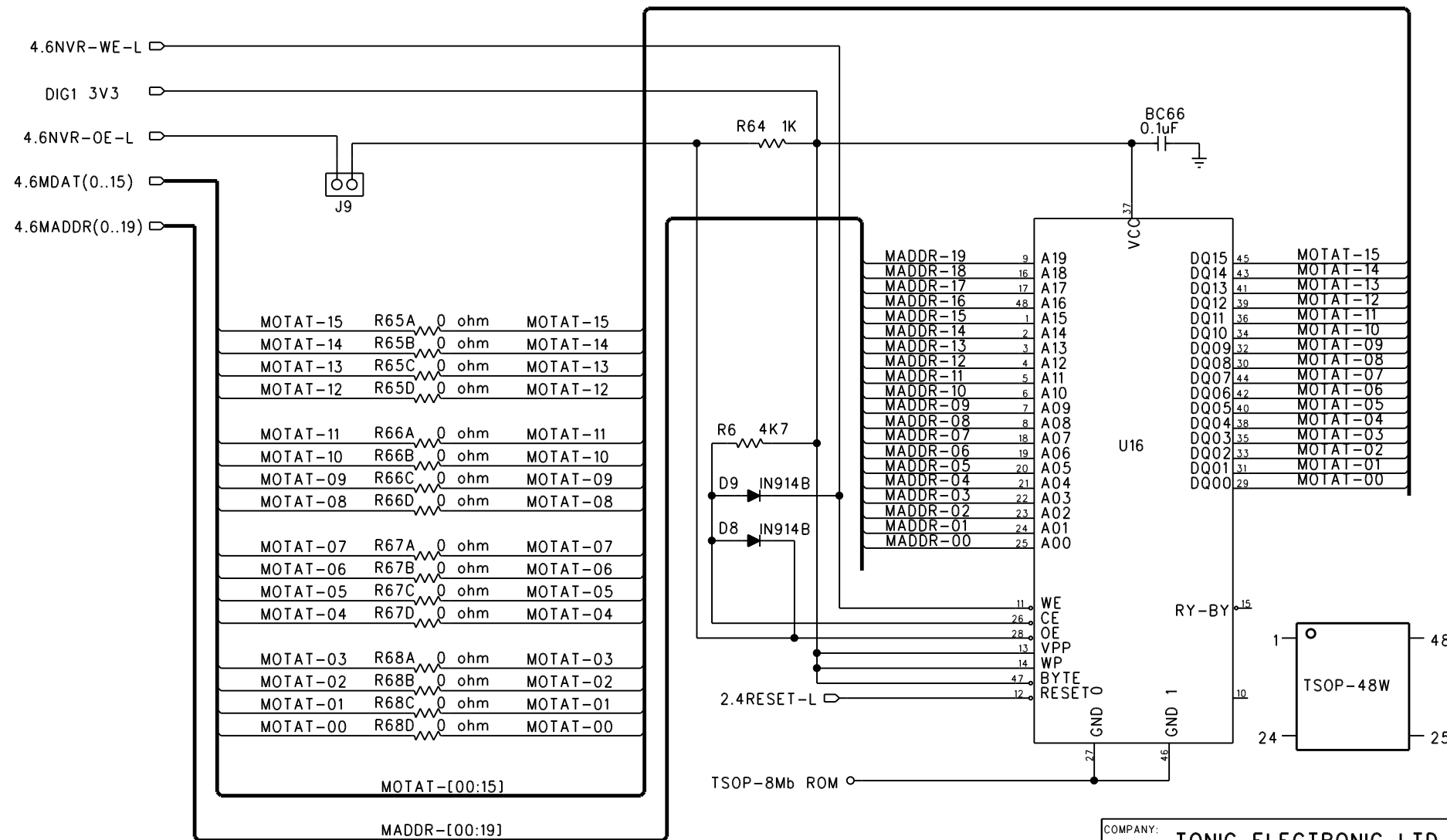


ASSEMBLY NOTE:
DO NOT POPULATE
C26 AND L8 IF X1
IS A FUNDAMENTAL
MODE CRYSTAL

GPIO USAGE:
GPIO 0(0):VFD INF:SERIAL CLOCK
GPIO 1(I/O):VFD INF:SERIAL DATE
GPIO 2(0):VFD INF:LOAD
GPIO 3(-):NOT USED
GPIO 4(-):NOT USED
GPIO 5(I/O):12C INF:SERIAL CLOCK
GPIO 6(I/O):12C INF:SERIAL DATA
GPIO 7(0):DVD INF:DRIVE RESET
GPIO 8(-):NOT USED
GPIO 9(-):RESERVED FOR PCMXCLK
OUTPUT
GPIO 10(-):NOT USED
GPIO 11(-):NOT USED
GPIO 12(-):NOT USED
GPIO 13(-):NOT USED
GPIO 14(-):NOT USED
GPIO 15(-):NOT USED

DRAWN:	DATED:14/12/99	COMPANY:	TONIC ELECTRONIC LTD.
CHECKED:	DATED:	MODEL NO:	T-036
QUALITY CONTROL:	DATED:	TITLE:	T036 AV CPU
RELEASED:	DATED:	REV:	

REVISION RECORD			
LTR	ECO NO:	APPROVE	DATE



COMPANY: TONIC ELECTRONIC LTD.

TITLE: T036 AV EPROM [REV-3]

DRAWN:	DATED:	CODE:	DRAWING NO:	REV:
CHECKED:	DATED:	T036-AV-EPROM(REV-3).SCH		
QUALITY CONTROL:	DATED:			
RELEASED:	DATED:			
SCALE:		SHEET: OF		

6

5

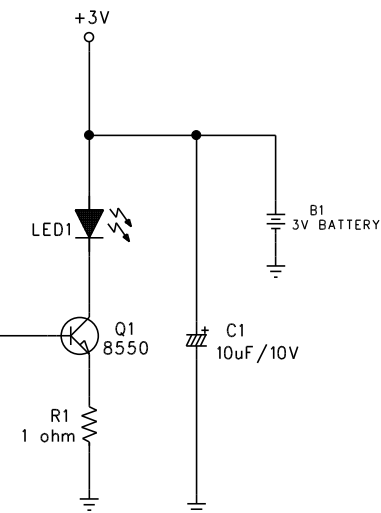
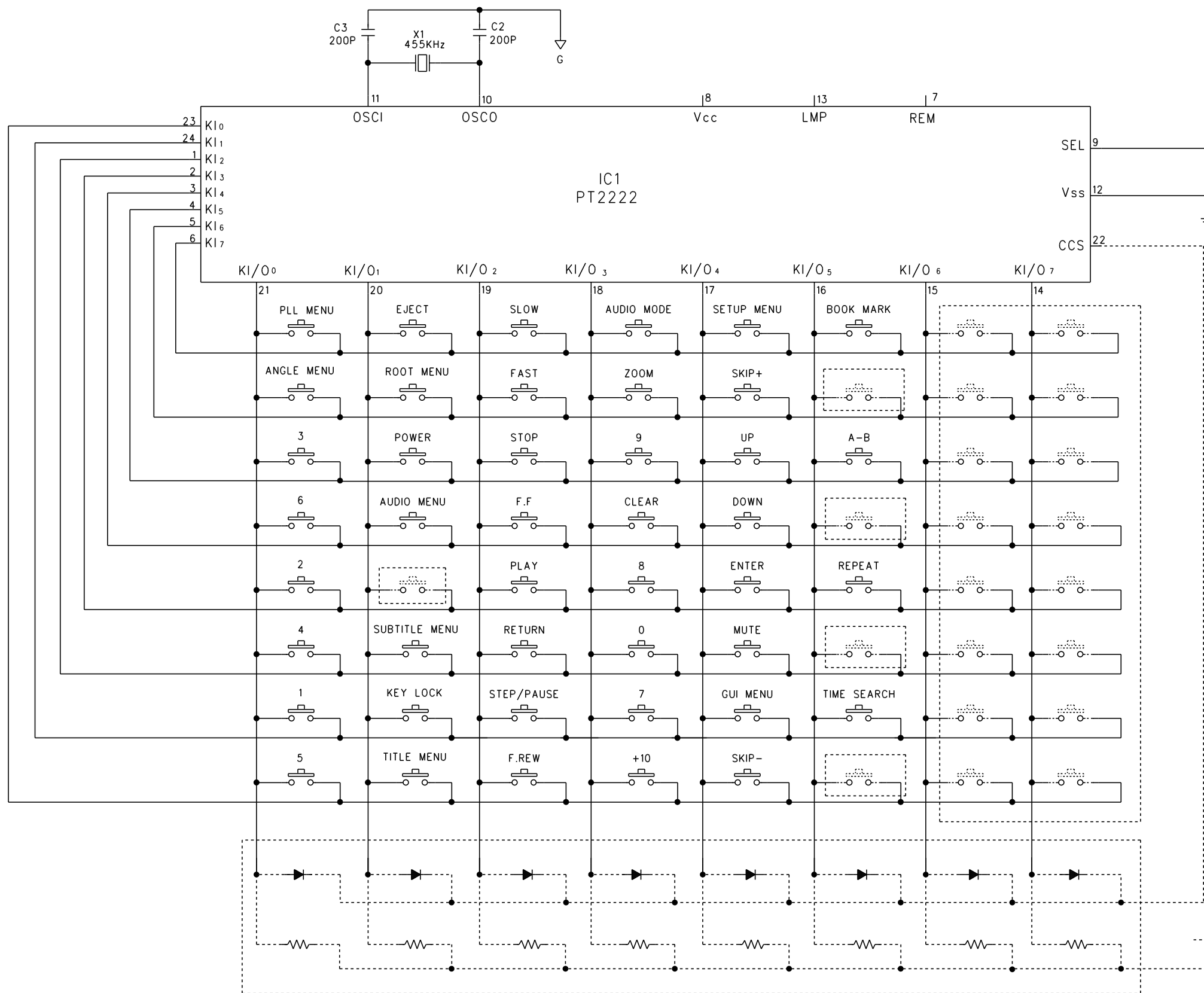
4

3

2

1

REVISION RECORD			
NO.	DATE	DESCRIPTION	BY



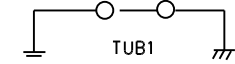
COMPANY: TONIC ELECTRONIC LTD.

TITLE: T036z REMOTE H/S (SAME TO OLD T036 HS)

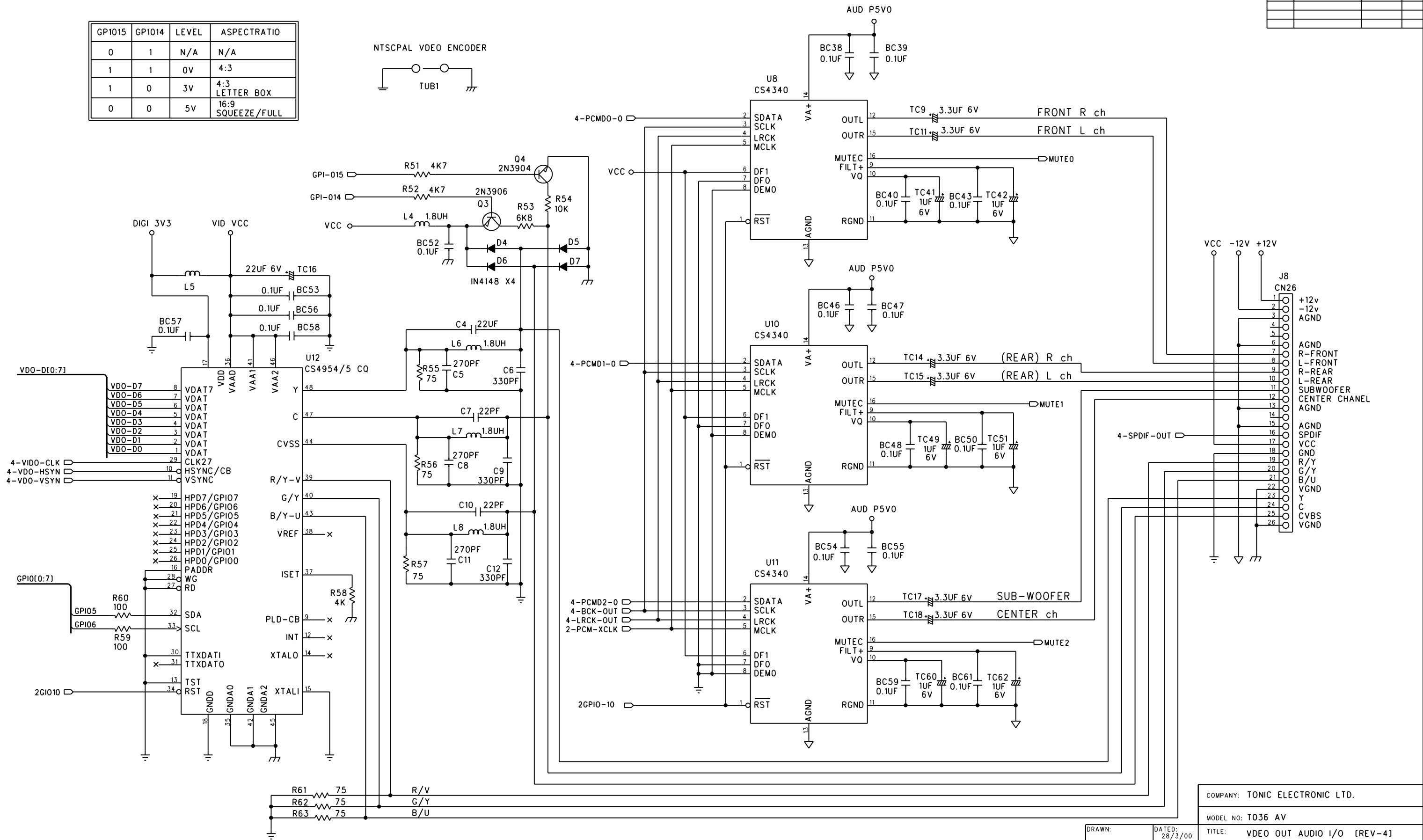
DRAWN:	DATED: 1/02/00	CODE:	SIZE:	DRAWING NO:	REV: (2)
CHECKED:	DATED:			T036z HS.SCH	
QUALITY CONTROL:	DATED:				
RELEASED:	DATED:	SCALE:		SHEET:	OF

GP1015	GP1014	LEVEL	ASPECTRATIO
0	1	N/A	N/A
1	1	0V	4:3
1	0	3V	4:3 LETTER BOX
0	0	5V	16:9 SQUEEZE/FULL

NTSC/PAL VIDEO ENCODER



REVISION RECORD			
LTR	ECO NO.	APPROVED	DATE



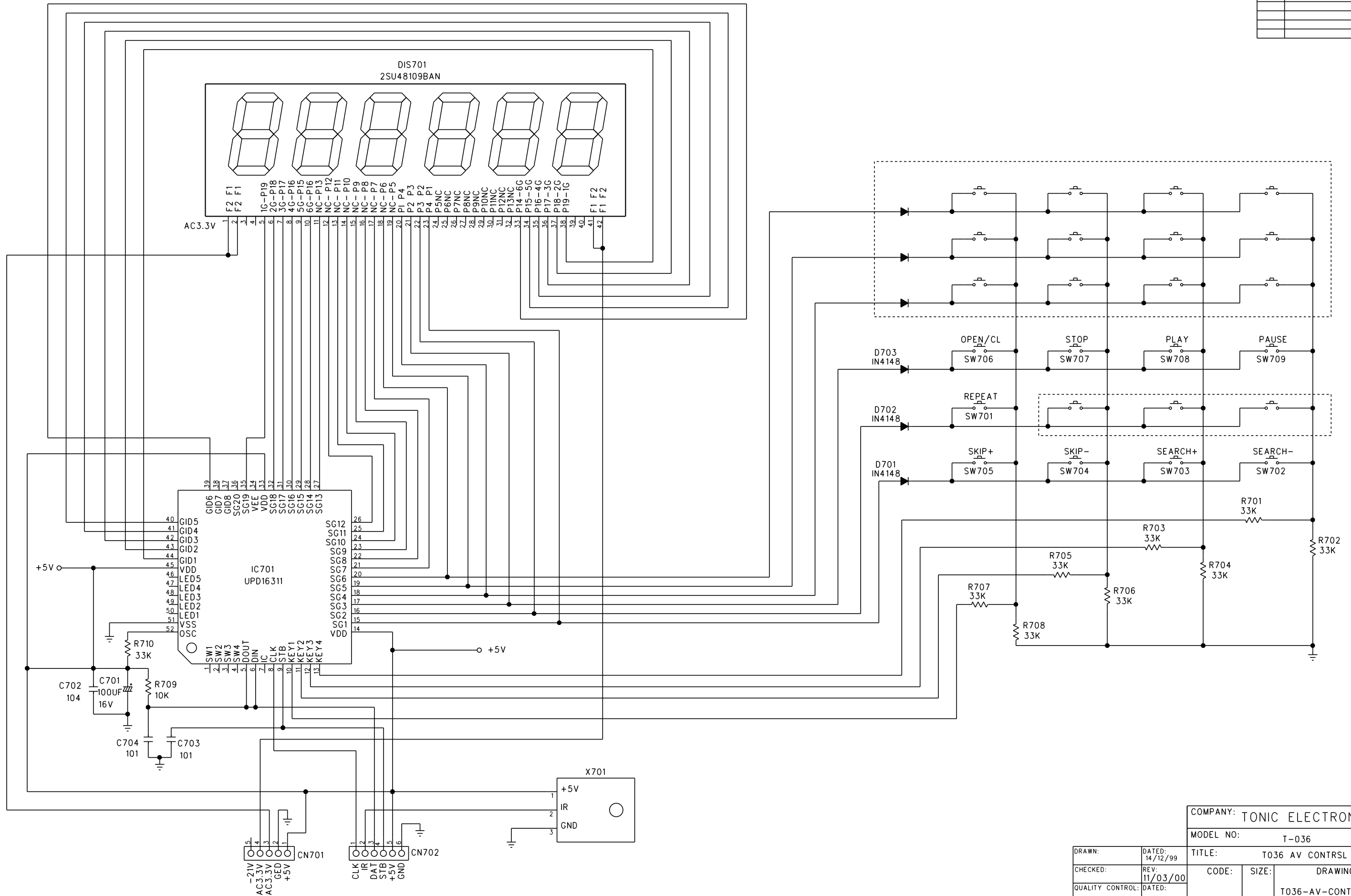
COMPANY: TONIC ELECTRONIC LTD.

MODEL NO: T036 AV

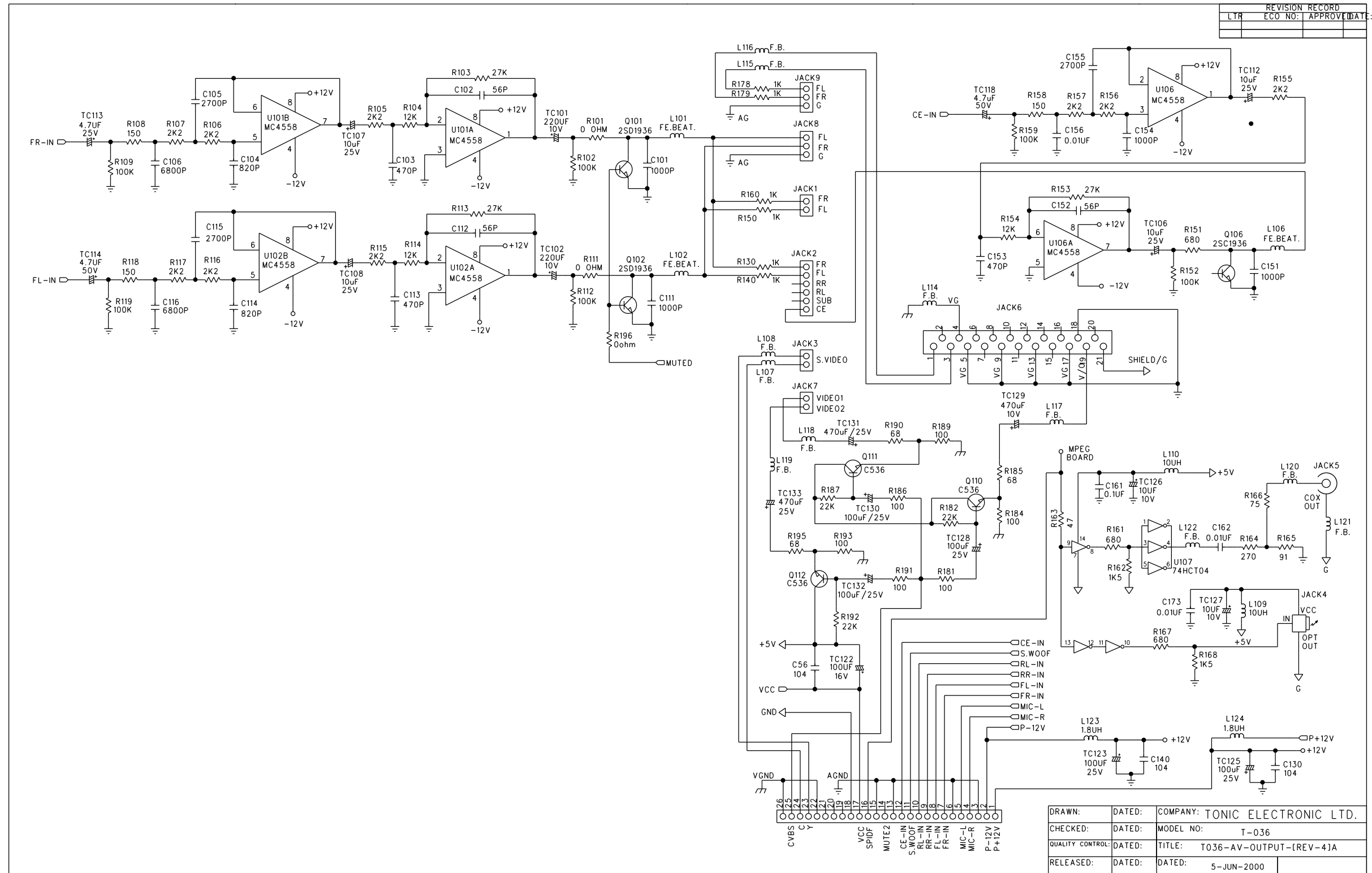
TITLE: VIDEO OUT AUDIO I/O [REV-4]

DRAWN:	DATED: 28/3/00	CODE:	SIZE:	DRAWING NO:
CHECKED:	REV: 18/4/00	T036-AV-10(REV-4).SCH		
QUALITY CONTROL:	DATED:	SHEET: OF		
RELEASED:	DATED: 15-JUN-00	SCALE:		

REVISION RECORD			
LTR	ECO NO:	APPROV	DATE



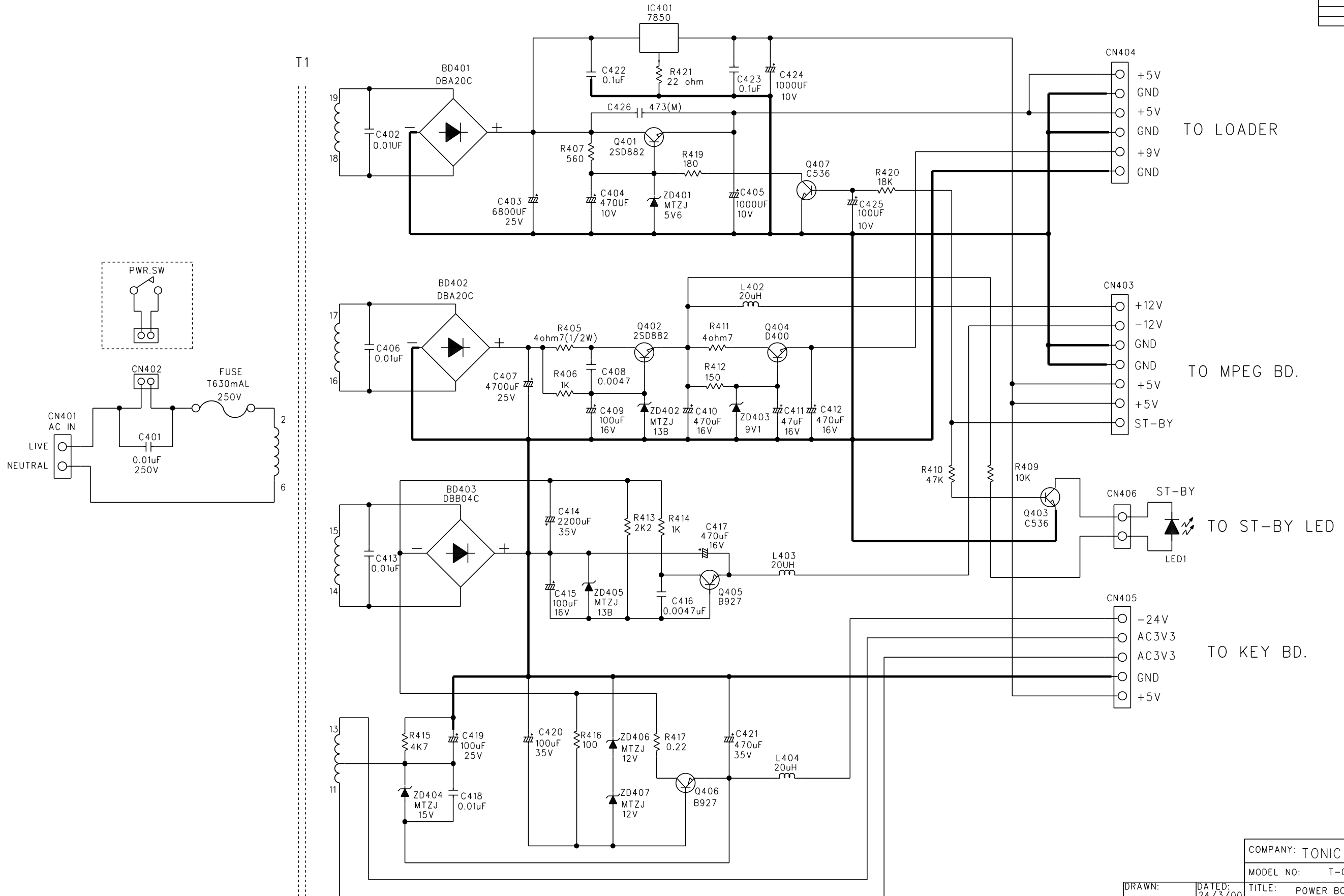
COMPANY: TONIC ELECTRONIC LTD.			
MODEL NO: T-036			
TITLE: T036 AV CONTRSL			
DRAWN:	DATED: 14/12/99	CODE:	SIZE:
CHECKED:	REV: 11/03/00	DRAWING NO:	
QUALITY CONTROL:	DATED:	T036-AV-CONTRSL.SCH	
RELEASED:	DATED:	SCALE:	SHEET: OF



REVISION RECORD		
LTR	ECO NO:	APPROVED DATE:

DRAWN:	DATED:	COMPANY: TONIC ELECTRONIC LTD.
CHECKED:	DATED:	MODEL NO: T-036
QUALITY CONTROL:	DATED:	TITLE: T036-AV-OUTPUT-(REV-4)A
RELEASED:	DATED:	DATED: 5-JUN-2000

REVISION RECORD			
LTR	ECO NO.	APPROV	DATE



COMPANY: TONIC ELECTRONIC LTD.

MODEL NO: T-041

TITLE: POWER BOARD

DRAWN: 24/3/00

CHECKED: 24/3/00

QUALITY CONTROLLED: 24/3/00

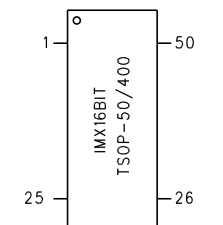
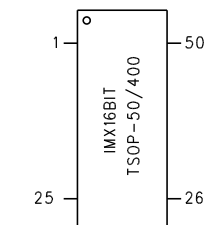
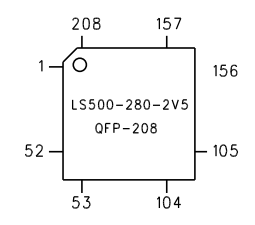
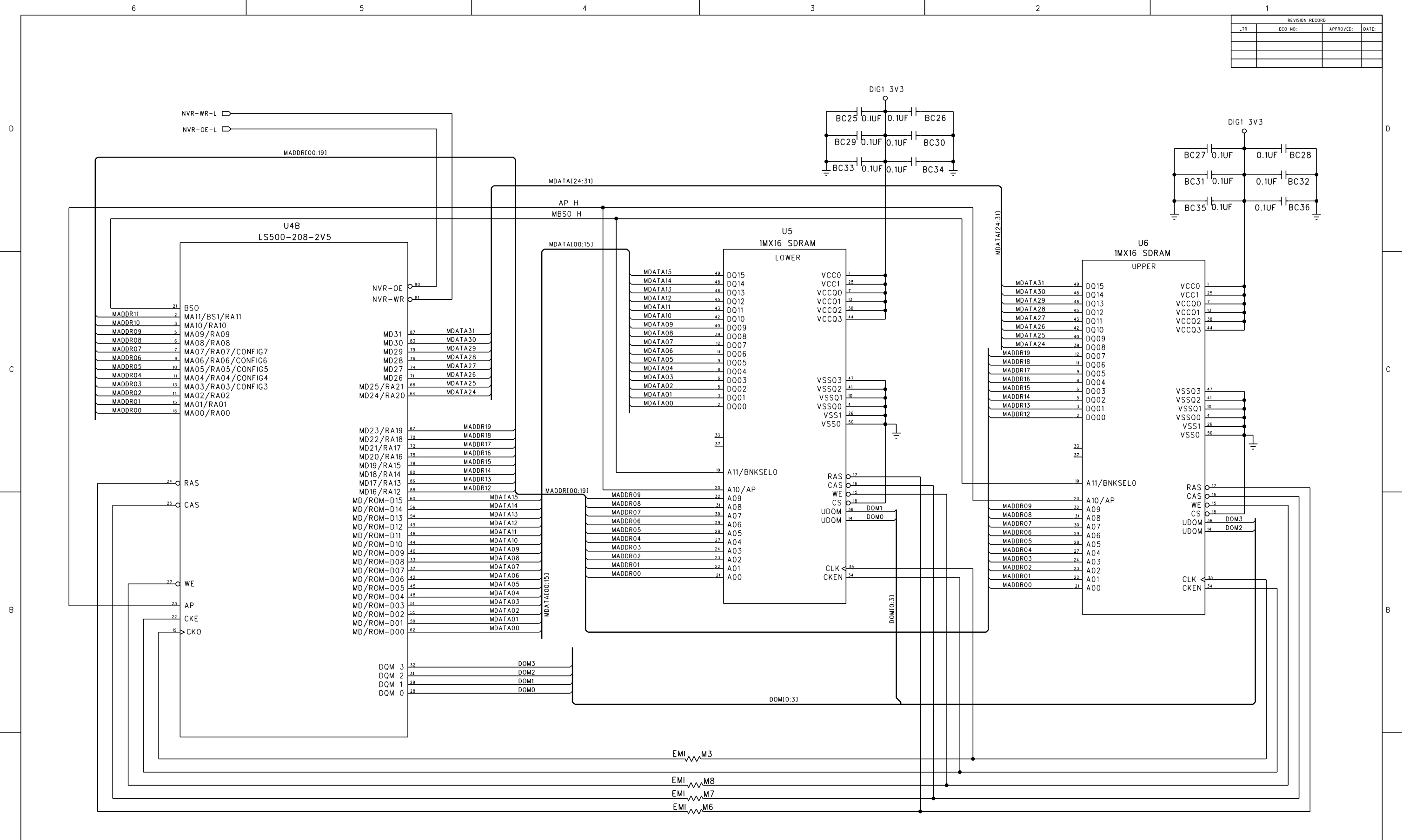
RELEASED: 24/3/00

CODE: SIZE: DRAWING NO: T041 POWER.SCH

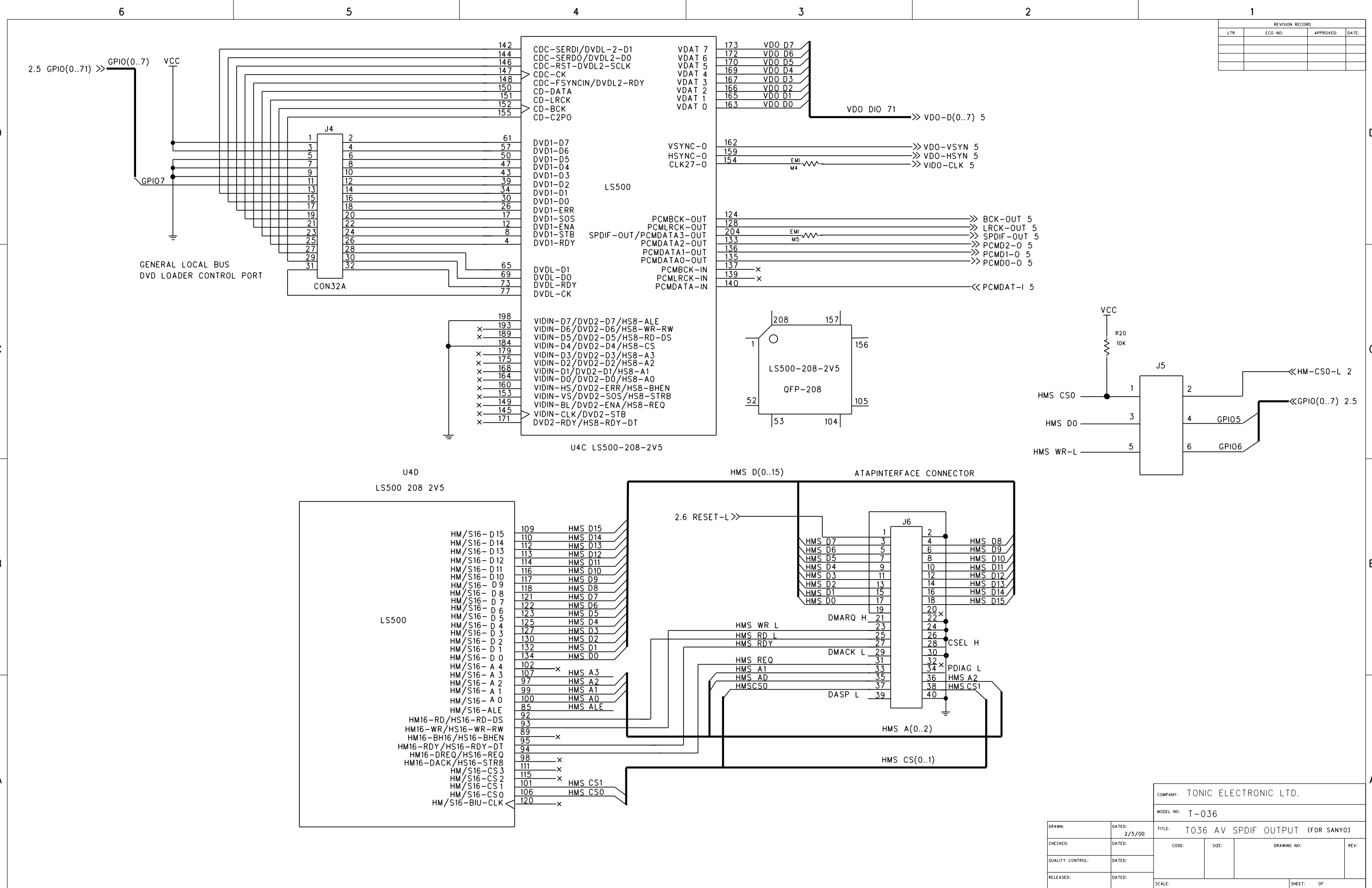
SCALE: SHEET: OF

REV: 5/5/00 [2/5]

REVISION RECORD			
LTR	ECO NO.	APPROVED:	DATE:



COMPANY: TONIC ELECTRONIC LTD.			
MODEL NO: T-036			
TITLE: T036 AV SDRAM			
DRAWN:	DATED: 14/12/99	CODE:	SIZE:
CHECKED:	DATED:	DRAWING NO: T036-AV-SDRAM.SCH	
QUALITY CONTROL:	DATED:	REV:	
RELEASED:	DATED: 21-JUN-00	SCALE:	SHEET: OF

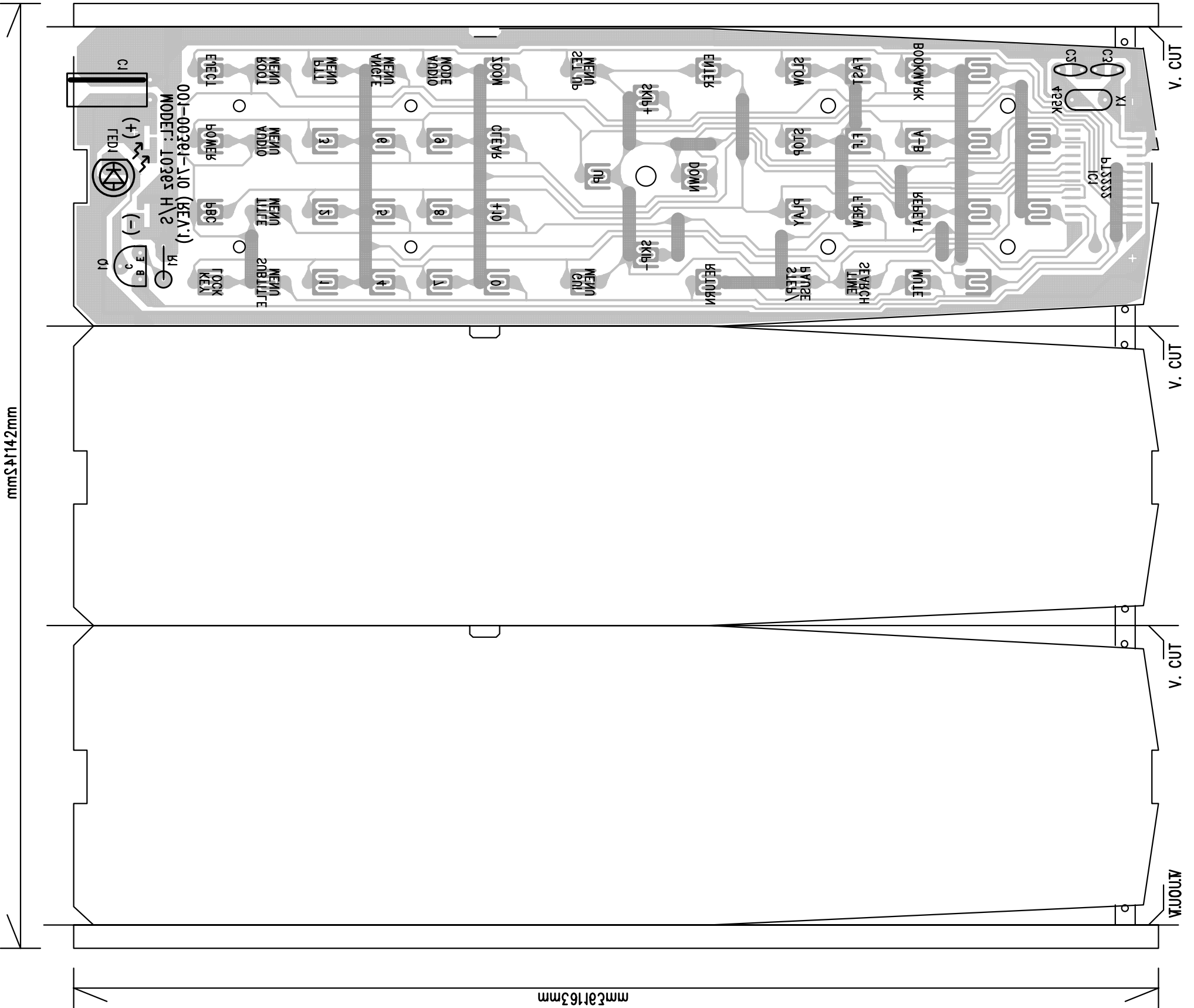


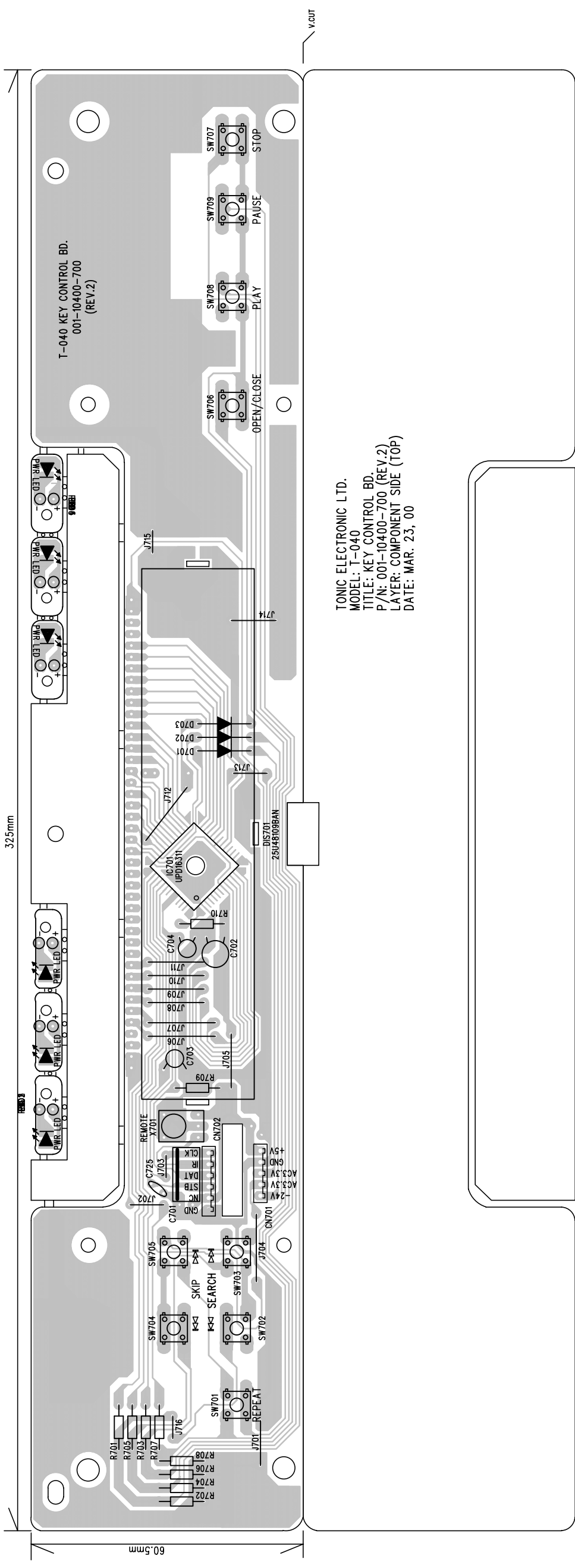
REVISION RECORD			
LTR	ECO NO.	APPROVED:	DATE:

COMPANY: TONIC ELECTRONIC LTD.			
MODEL NO: T-036			
TITLE: T036 AV SPDIF OUTPUT (FOR SANYO)			
DRAWN:	DATED: 2/5/00	CODE:	SIZE:
CHECKED:	DATED:	DRAWING NO:	REV:
QUALITY CONTROL:	DATED:		
RELEASED:	DATED:	SCALE:	SHEET: OF

DATE: 18-9-00
 SCALE: 2:1
 LAYER: COMPONENT SIDE (BOTTOM)
 P/N: 001-00361-110 (REV.1)
 TITLE: HAND SET
 MODEL: T-036Z
 TONIC ELECTRONIC LTD.

TONIC ELECTRONIC LTD.
 MODEL: T-036Z
 TITLE: HAND SET
 P/N: 001-00361-710 (REV.1)
 LAYER: COPPER PCB (TOP)
 SCALE: 2:1
 DATE: 18-9-00

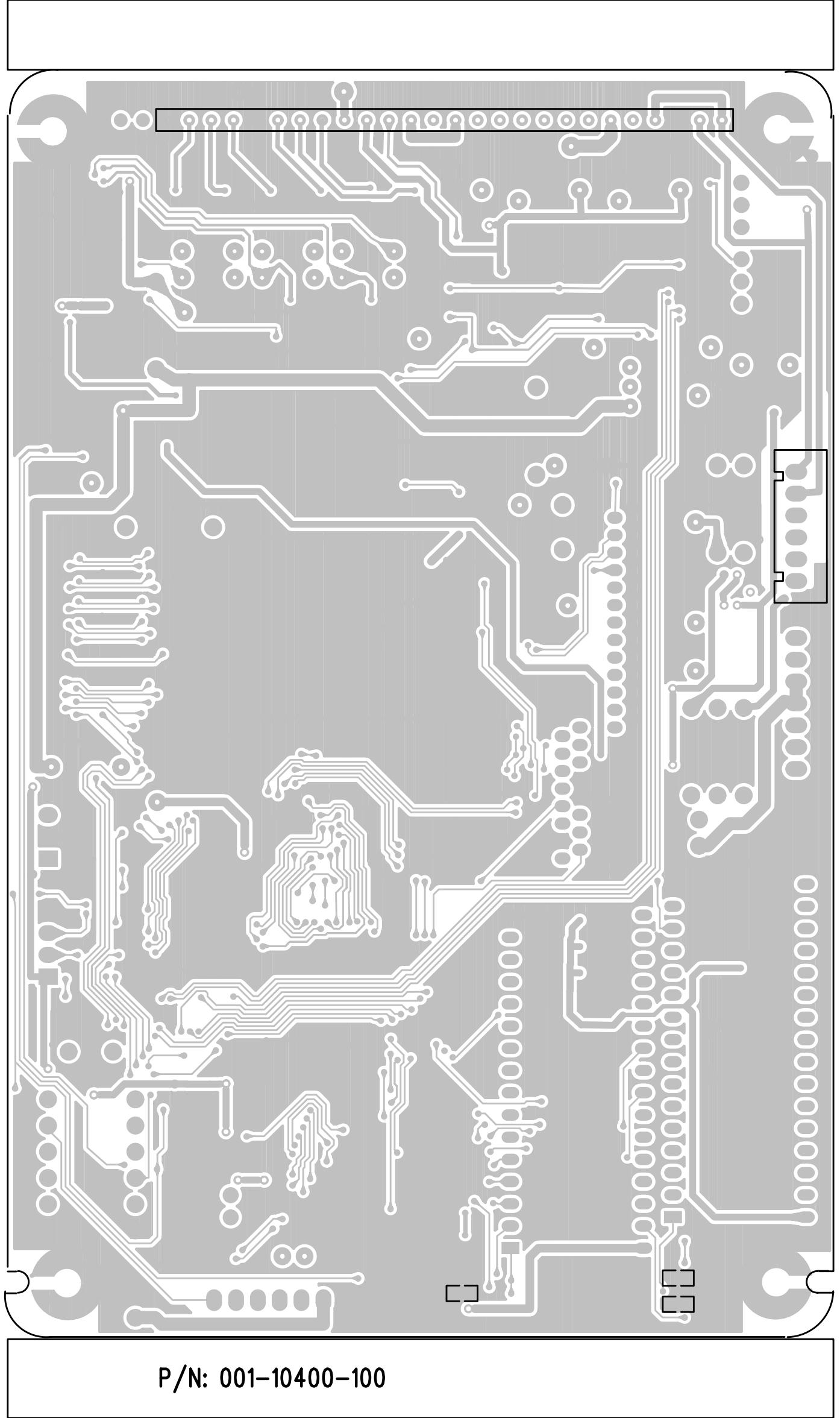




TONIC ELECTRONIC LTD.
 MODEL: T-040
 TITLE: KEY CONTROL BD.
 P/N: 001-10400-700 (REV.2)
 LAYER: COMPONENT SIDE (TOP)
 DATE: MAR. 23, 00

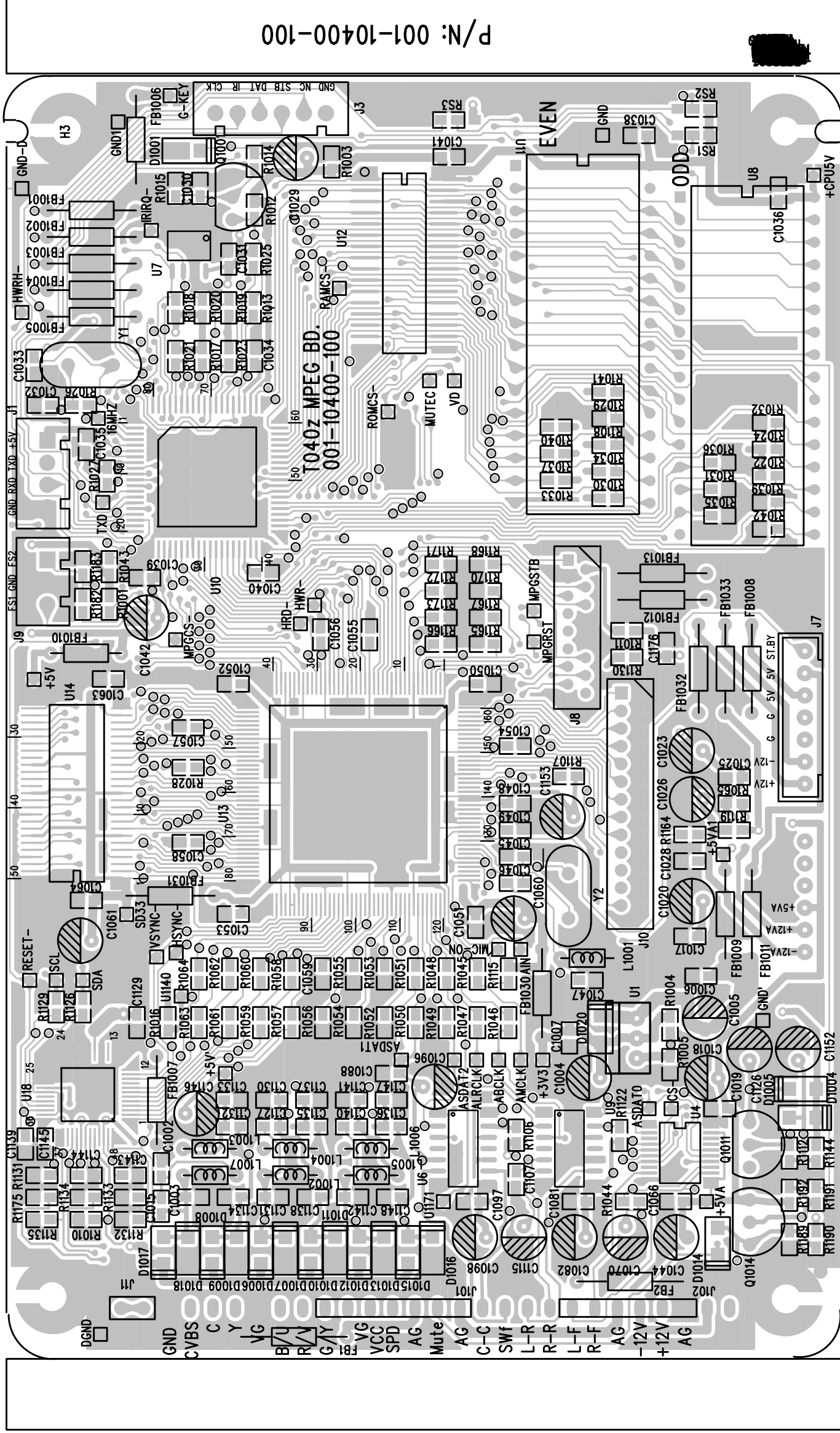
TONIC ELECTRONIC LTD.
MODEL: T-040Z
TITLE: T-040Z MPEG BD.
(IN/OUT BD. & MPEG BD.)
P/N: 001-10400-100 (REV.1)
DATE: Oct. 12, 00
LAYER: 2nd COPPER (BOTTOM VIEW)
MATERIAL: FEBRIC BOARD (1.2mm)

162mm



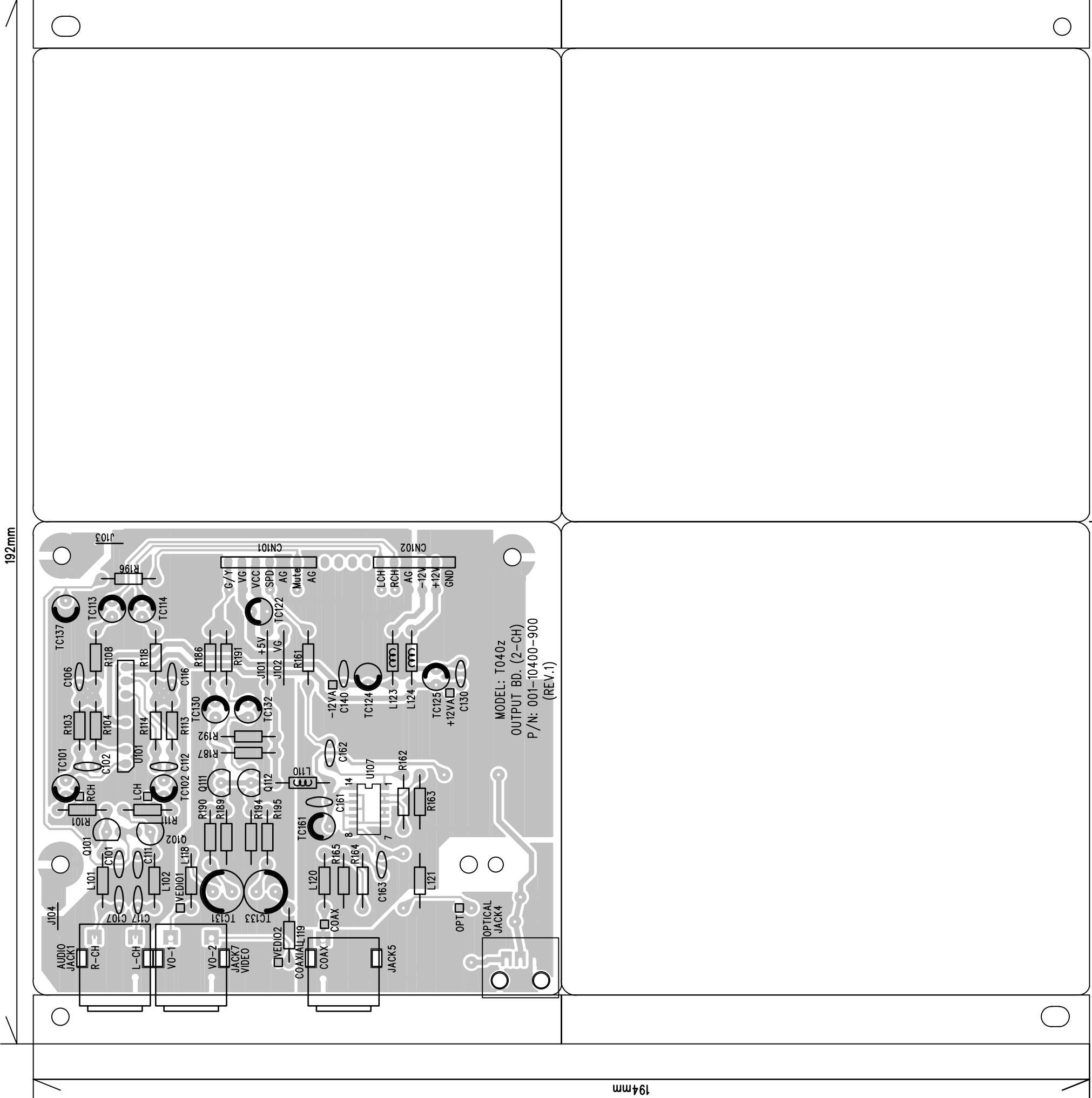
P/N: 001-10400-100

162mm



TONIC ELECTRONIC LTD.
MODEL: T040z
TITLE: T040z MPEG BD.
(IN/OUT BD. & MPEG BD.)
P/N: 001-10400-100 (REV.1)
DATE: Oct. 12, 00
LAYER: COMPONENT SIDE (TOP VIEW)
MATERIAL: FIBRIC BOARD (1.2mm)

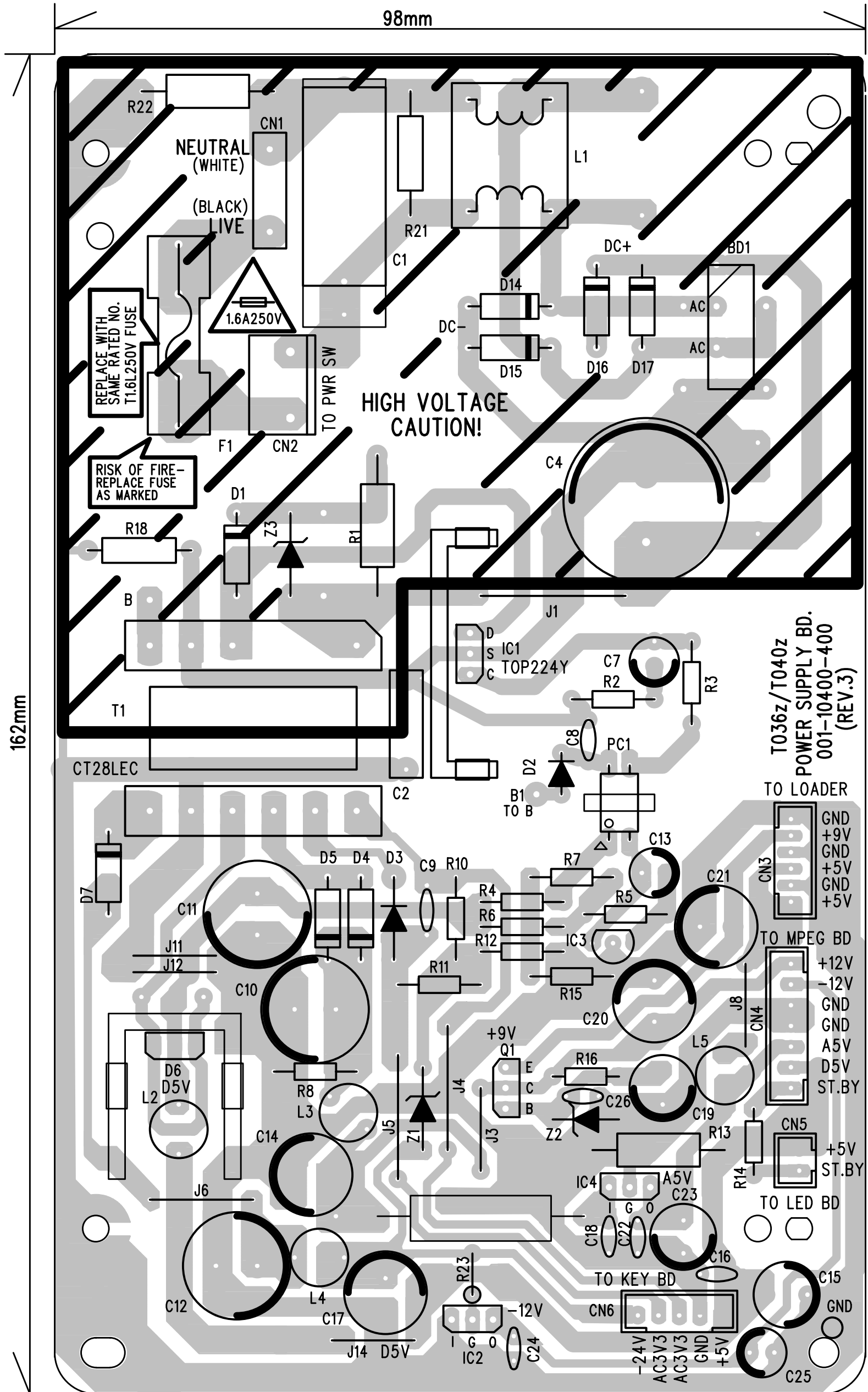
192mm



MODEL: T040z
 OUTPUT BD. (2-CH)
 P/N: 001-10400-900
 (REV.1)

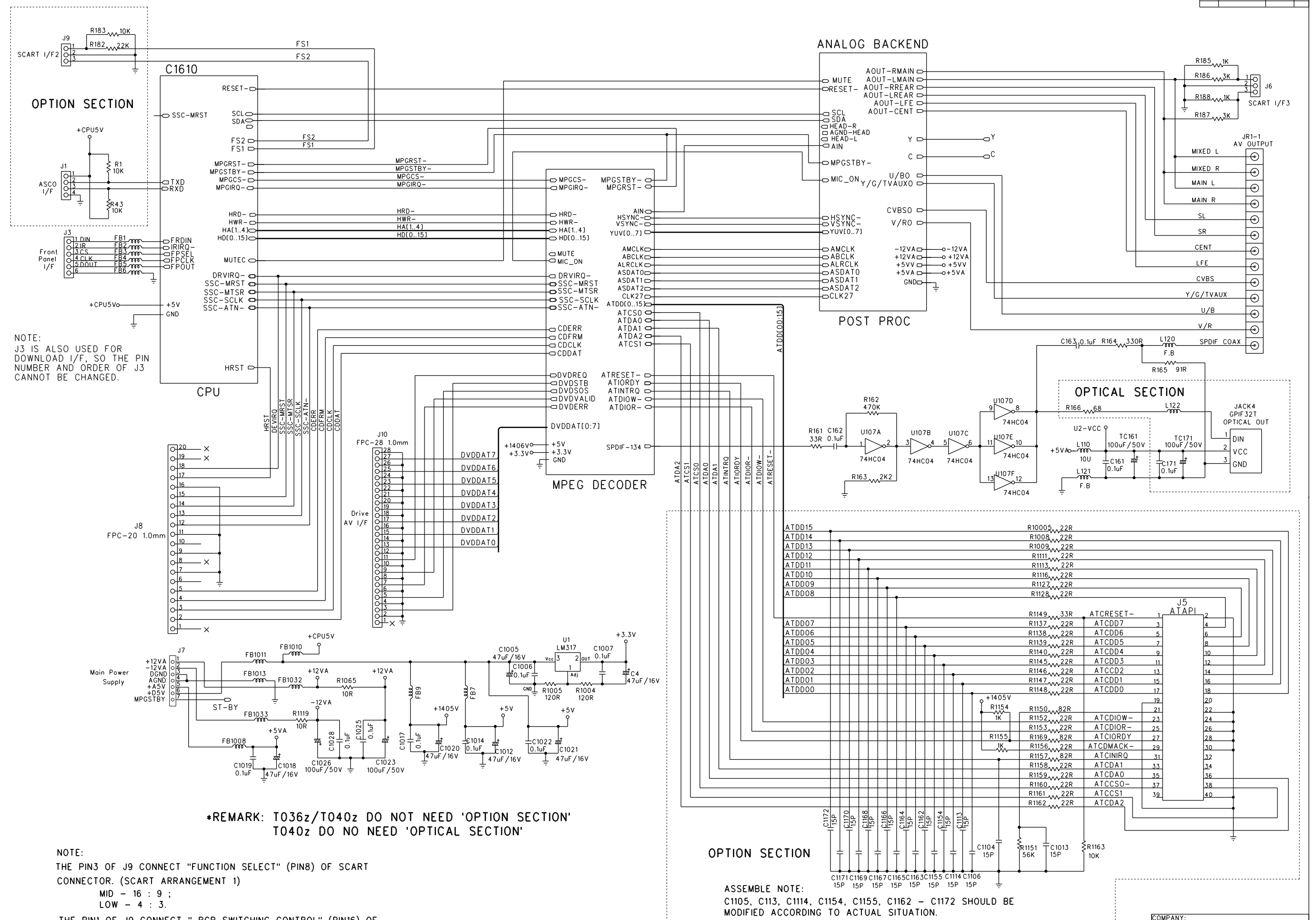
194mm

TONIC ELECTRONIC LTD.
 MODEL: T040z
 TITLE: T040z MPEG BD.
 (IN/OUT BD. & MPEG BD.)
 P/N: 001-10400-900 (REV.1)
 DATE: SEP. 8, 00
 LAYER: COMPONENT SIDE (TOP VIEW)

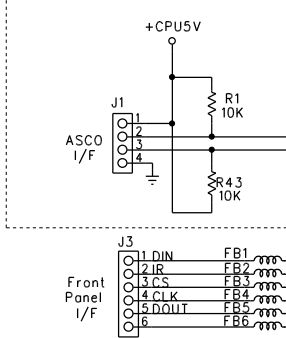


MODEL: T036z/T040z
 TITLE: POWER SUPPLY BD.
 P/N: 001-10400-400 (REV.3)
 DATE: 12-10-00
 COMPONENT SIDE (TOP VIEW)

REVISION RECORD		
LT#	ECO NO.	APPROVAL



OPTION SECTION



NOTE:
J3 IS ALSO USED FOR
DOWNLOAD I/F, SO THE PIN
NUMBER AND ORDER OF J3
CANNOT BE CHANGED.

***REMARK: T036z/T040z DO NOT NEED 'OPTION SECTION'
T040z DO NO NEED 'OPTICAL SECTION'**

NOTE:
THE PIN3 OF J9 CONNECT "FUNCTION SELECT" (PIN8) OF SCART
CONNECTOR. (SCART ARRANGEMENT 1)
MID - 16 : 9 ;
LOW - 4 : 3.
THE PIN1 OF J9 CONNECT " RGB SWITCHING CONTROL" (PIN16) OF
SCART CONNECTOR. (SCART ARRANGEMENT 1)
HIGH - RGB
LOW - COMPOSITE

OPTION SECTION

ASSEMBLE NOTE:
C1105, C113, C114, C115, C1162 - C1172 SHOULD BE
MODIFIED ACCORDING TO ACTUAL SITUATION.

COMPANY: TONIC ELECTRONIC LTD.	
TITLE: T036z/T040z CONNECTION CIRCUIT	
DRAWN:	DATED:
CHECKED:	DATED:
QUALITY CONTROL:	DATED:
RELEASED:	DATED:
CODE:	SIZE:
DRAWING NO: REV:	
T-036Z CONNECTION.SCH	
SCALE:	SHEET: OF

6

5

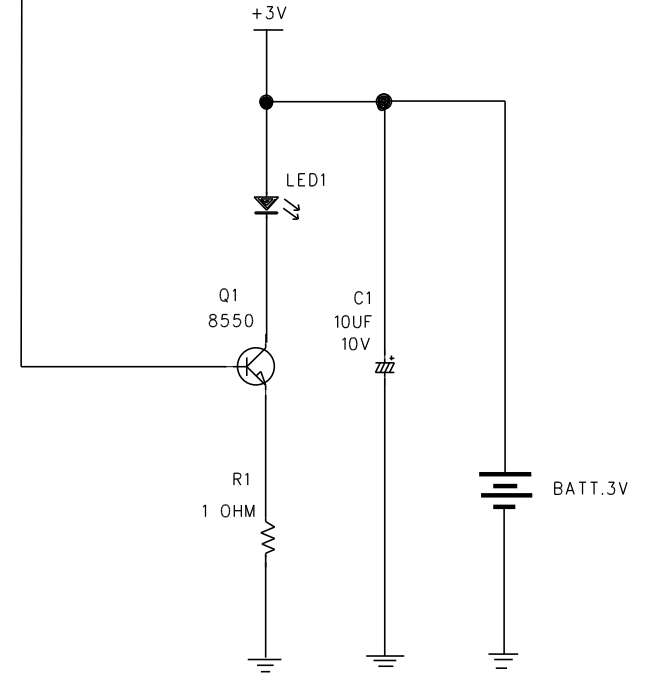
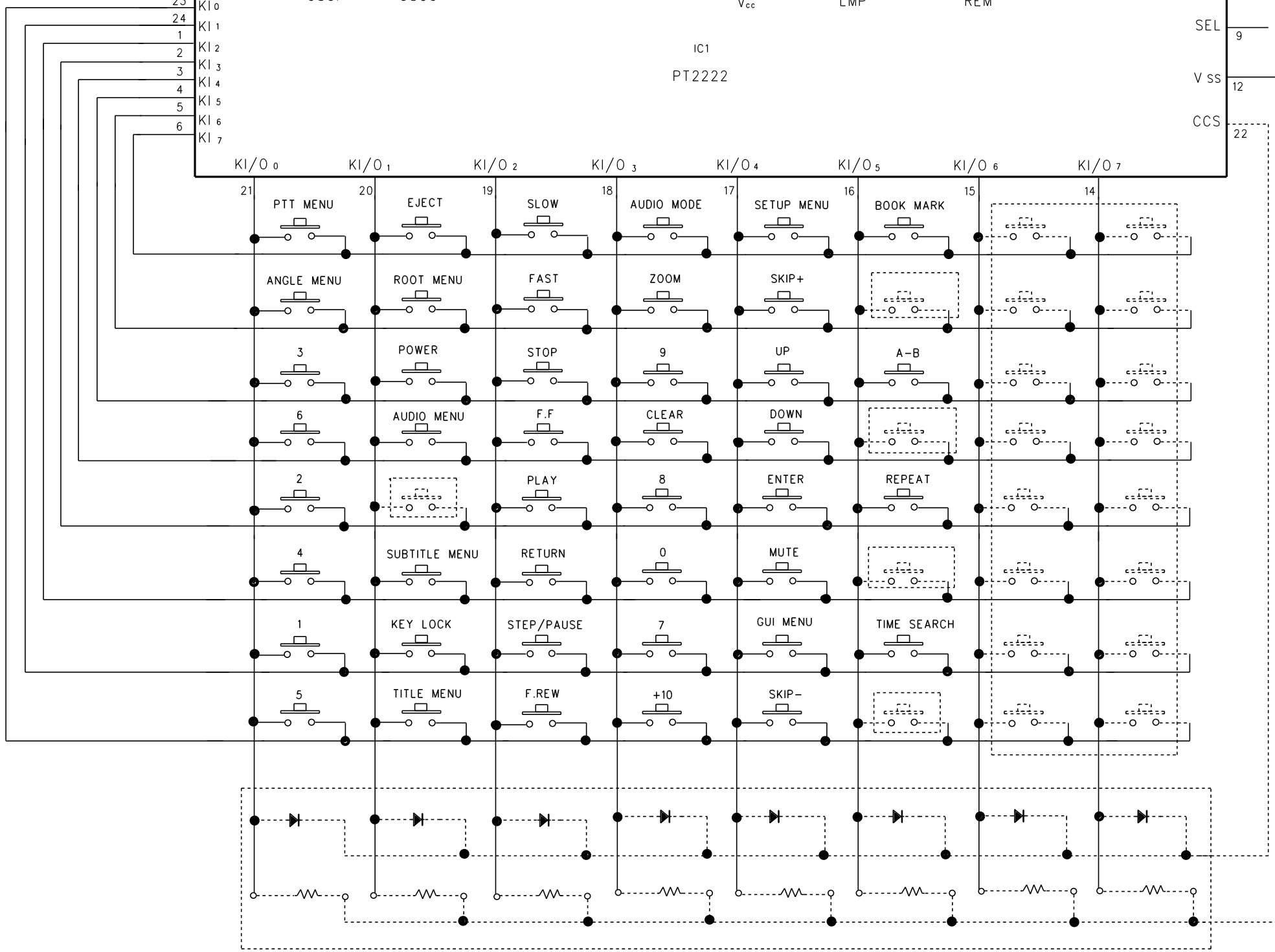
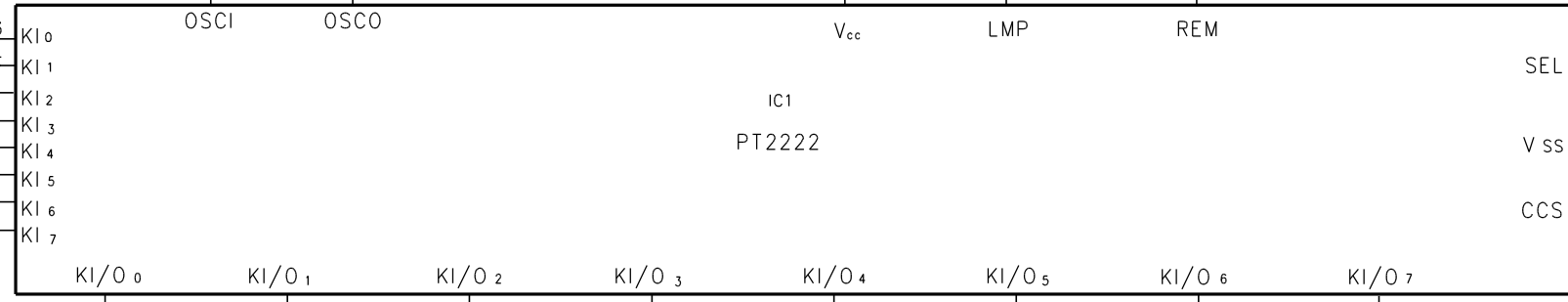
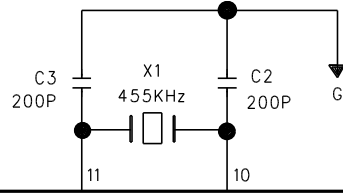
4

3

2

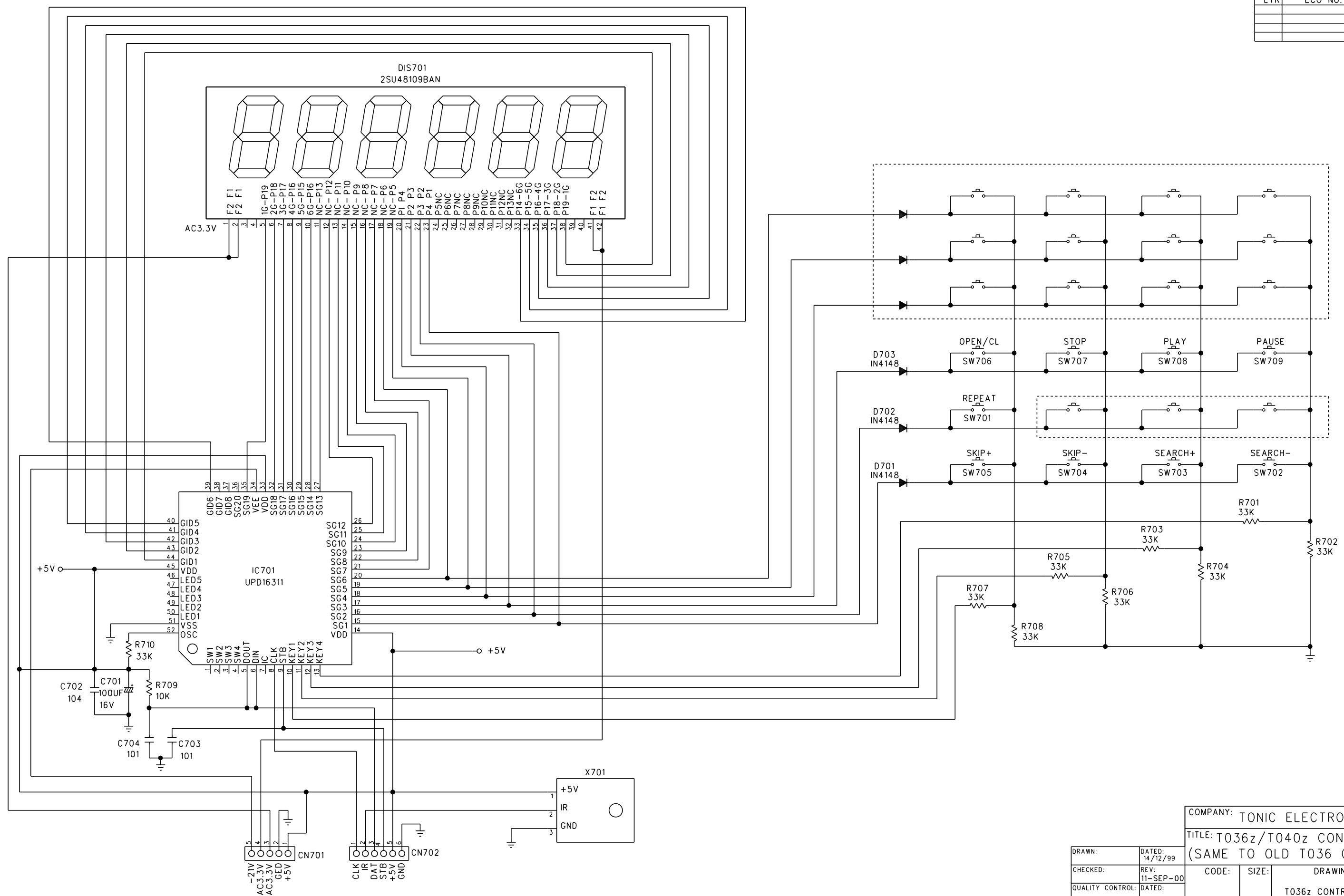
1

REVISION RECORD			
LTR	ECO NO:	APPROVED:	DATE:



COMPANY: TONIC ELECTRONIC LTD.				
TITLE: T036z REMOTE H/S (SAME TO OLD T036 HS)				
DRAWN:	DATED: 1/02/00	CODE:	SIZE:	DRAWING NO: T036z HS.SCH
CHECKED:	DATED:			REV: (2)
QUALITY CONTROL:	DATED:			
RELEASED:	DATED:	SCALE:		SHEET: OF

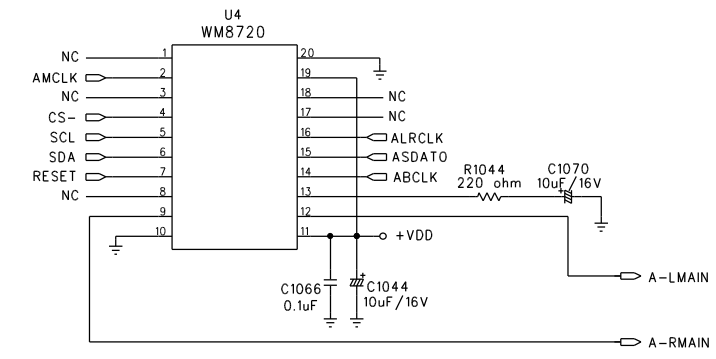
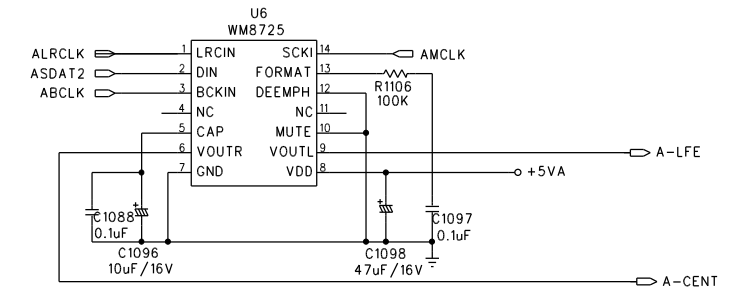
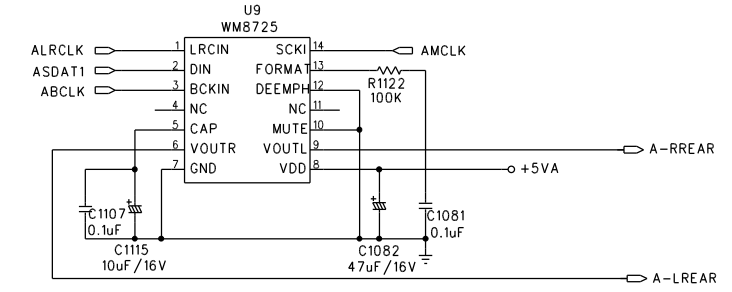
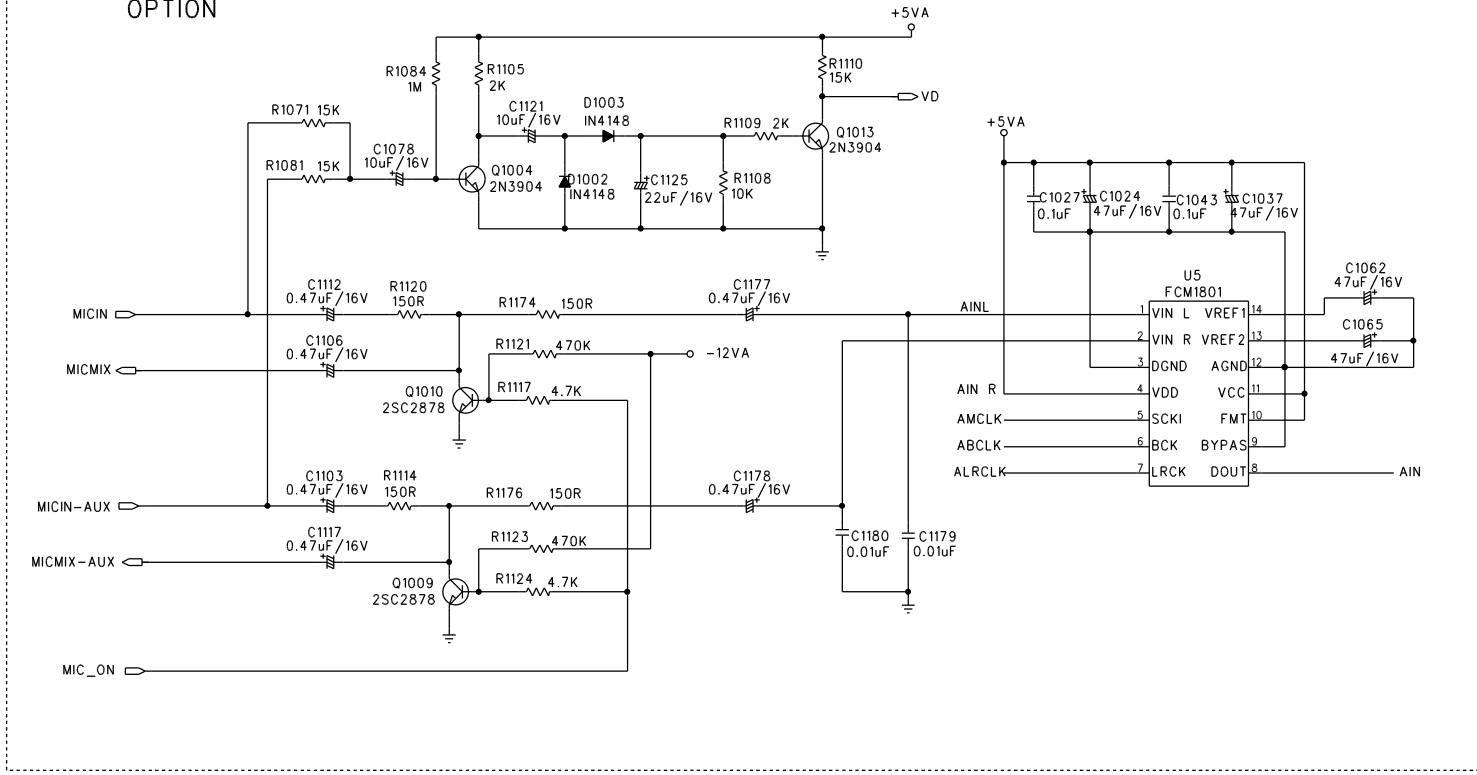
REVISION RECORD			
LTR	ECO NO:	APPROV	DATE



COMPANY: TONIC ELECTRONIC LTD.			
TITLE: T036z/T040z CONT CIRCUIT (SAME TO OLD T036 CONTROL)			
DRAWN:	DATED: 14/12/99	CODE:	SIZE:
CHECKED:	REV: 11-SEP-00	DRAWING NO: T036z CONTROL.SCH	
QUALITY CONTROL:	DATED:		
RELEASED:	DATED:		
SCALE:			SHEET: 1 OF 1

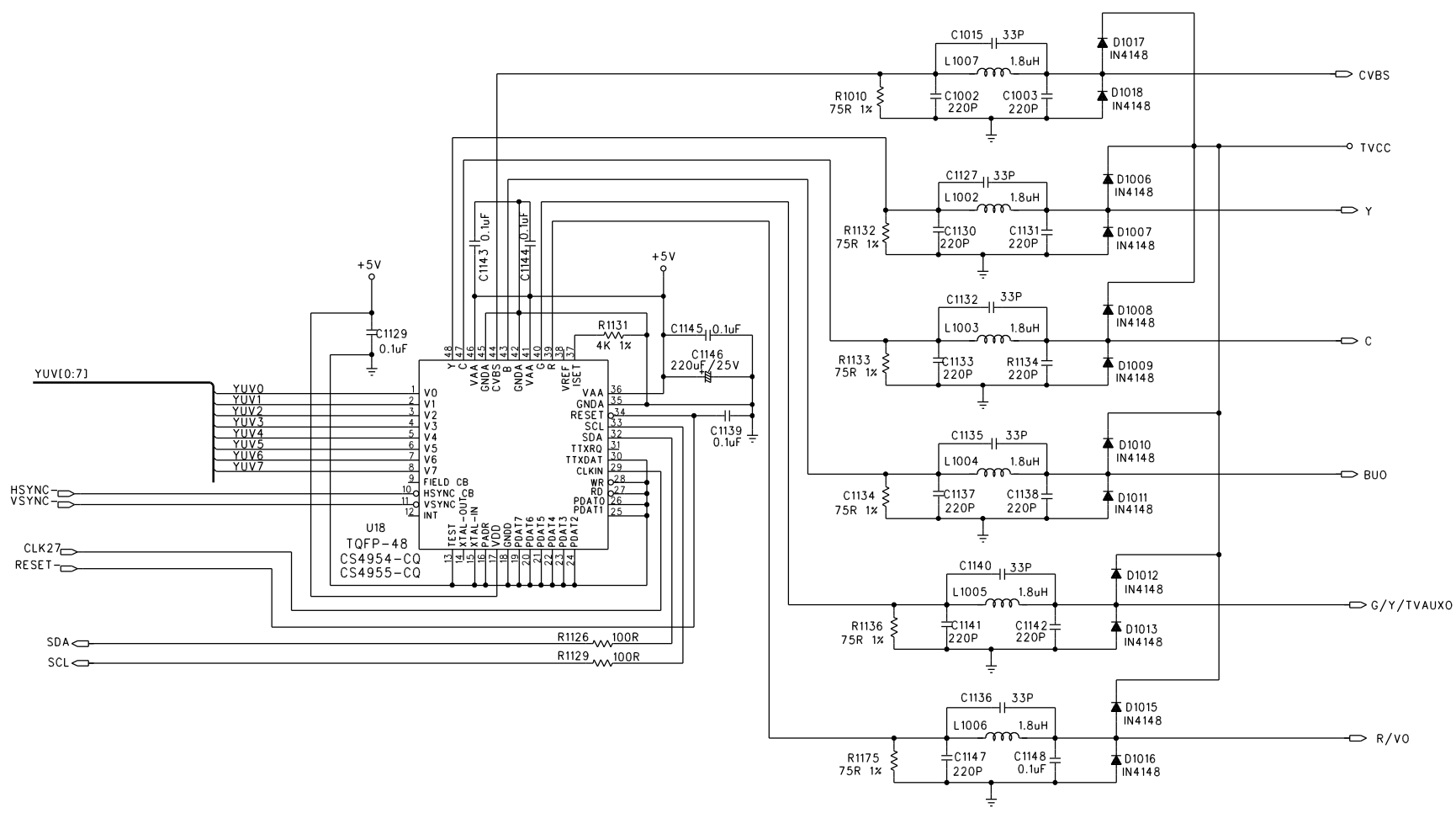
REVISION RECORD		
LT#	ECO NO.	APPROVAL

OPTION



*REMARK: T040z DO NOT NEED U6,U9
T036z/T040z DO NOT NEED 'OPTION' SECTION

NOTE:
1. C1007,C1081,C1088,C1097,C1066,C1073
Should be positioned as close to the
responding IC as possible.
2. Capacitor types should be carefully
chosen. Capacitors with very low ESR
are recommended for optimum performance.
3. C1115,C1096,C1070 should use Tantalum capacitor.



COMPANY:		TONIC ELECTRONIC L.T.E.	
TITLE:		T036z/T040z DVD-DAC	
DRAWN:	31-AUG-00	DATE:	
CHECKED:		CODE:	
QUALITY CONTROL:		SIZE:	
RELEASED:		DRAWING NO.:	T036z AMP.SCH
		SCALE:	
		SHEET:	

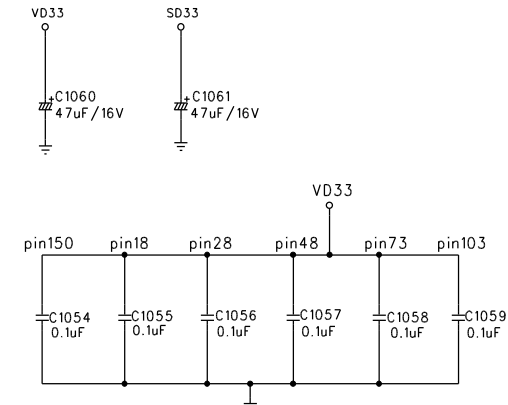
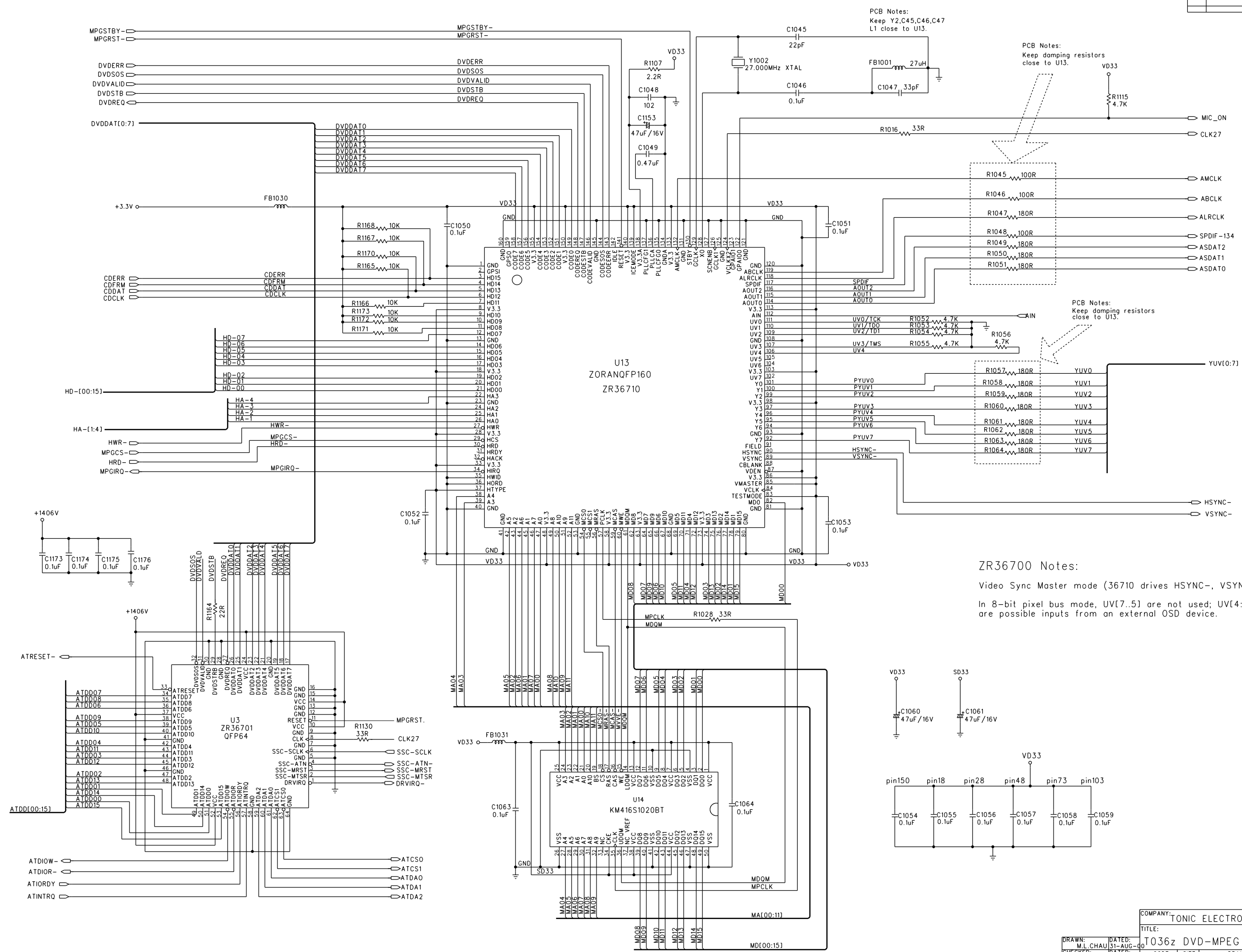
REVISION RECORD		
LTR	ECO NO.	APPROVAL

PCB Notes:
Keep Y2,C45,C46,C47
L1 close to U13.

PCB Notes:
Keep damping resistors
close to U13.

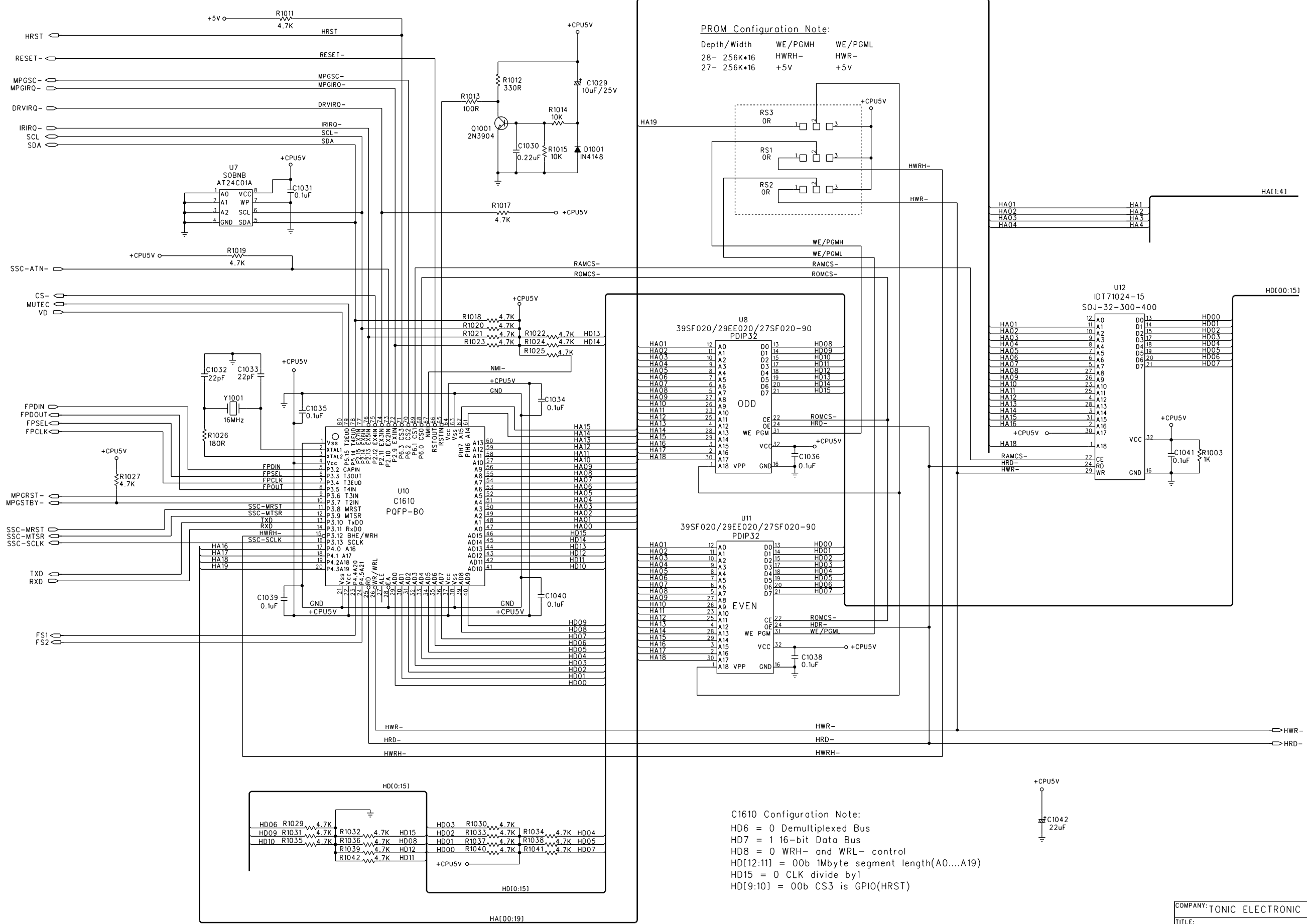
PCB Notes:
Keep damping resistors
close to U13.

ZR36700 Notes:
Video Sync Master mode (36710 drives HSYNC-, VSYNC-)
In 8-bit pixel bus mode, UV[7..5] are not used; UV[4:0]
are possible inputs from an external OSD device.



COMPANY: TONIC ELECTRONIC LTD.			
TITLE: T036z DVD-MPEG DECODER			
DRAWN: M.L. CHAU	DATED: 31-AUG-00	CODE:	SIZE:
CHECKED:	DATED:	DRAWING NO: T036z AMP.SCH	REV:
QUALITY CONTROLLED:	RELEASED:	SCALE:	SHEET: OF

REVISION RECORD		
LTR	ECO NO.	APPROVAL



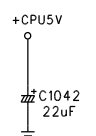
PROM Configuration Note:
 Depth/Width WE/PGMH WE/PGML
 28- 256K*16 HWRH- HWR-
 27- 256K*16 +5V +5V

U8
 39SF020/29EE020/27SF020-90
 PDIP32

U11
 39SF020/29EE020/27SF020-90
 PDIP32

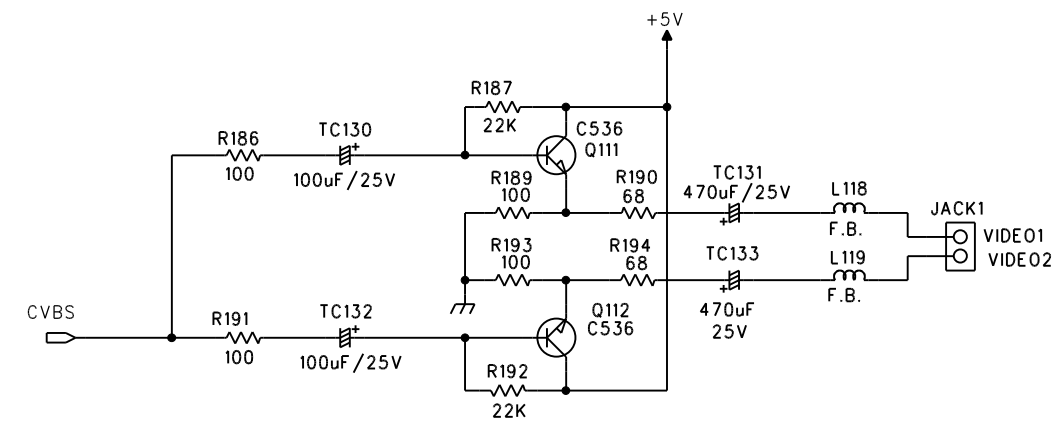
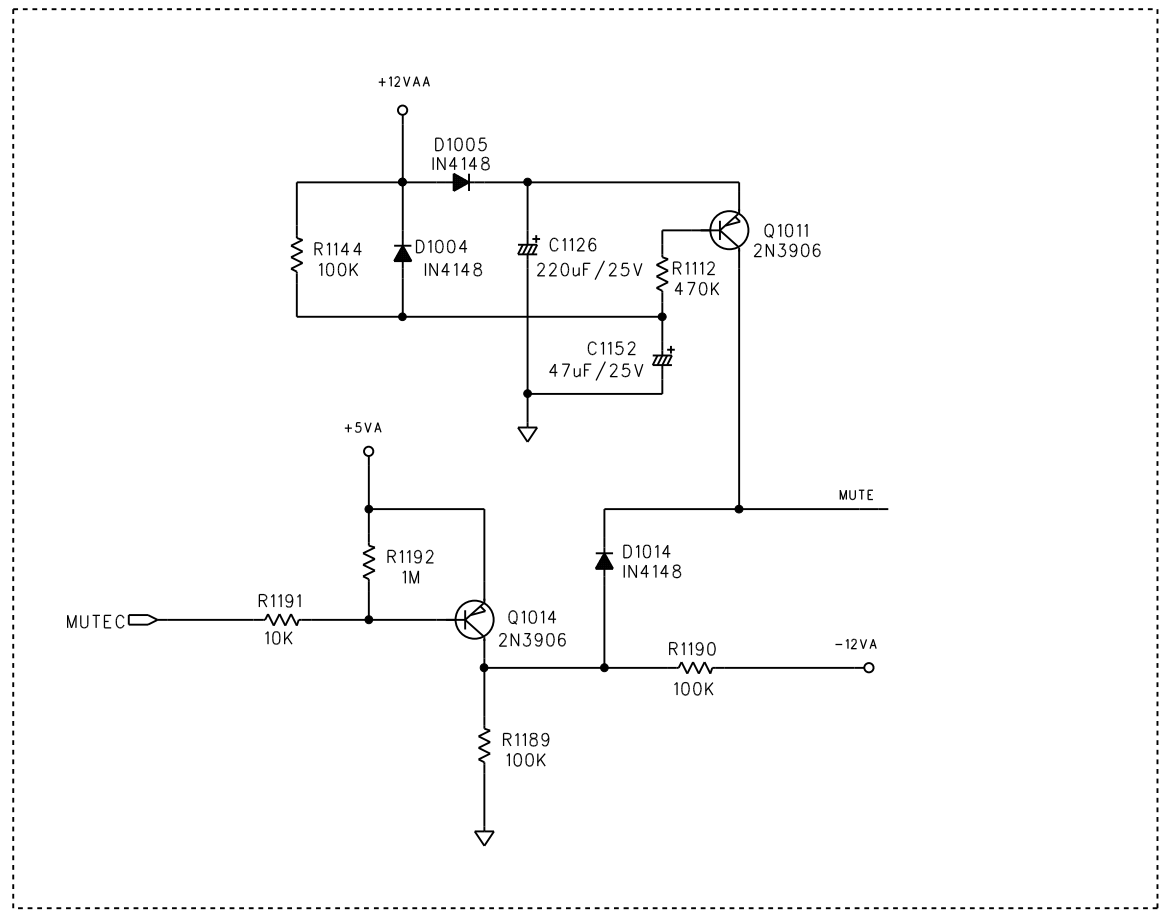
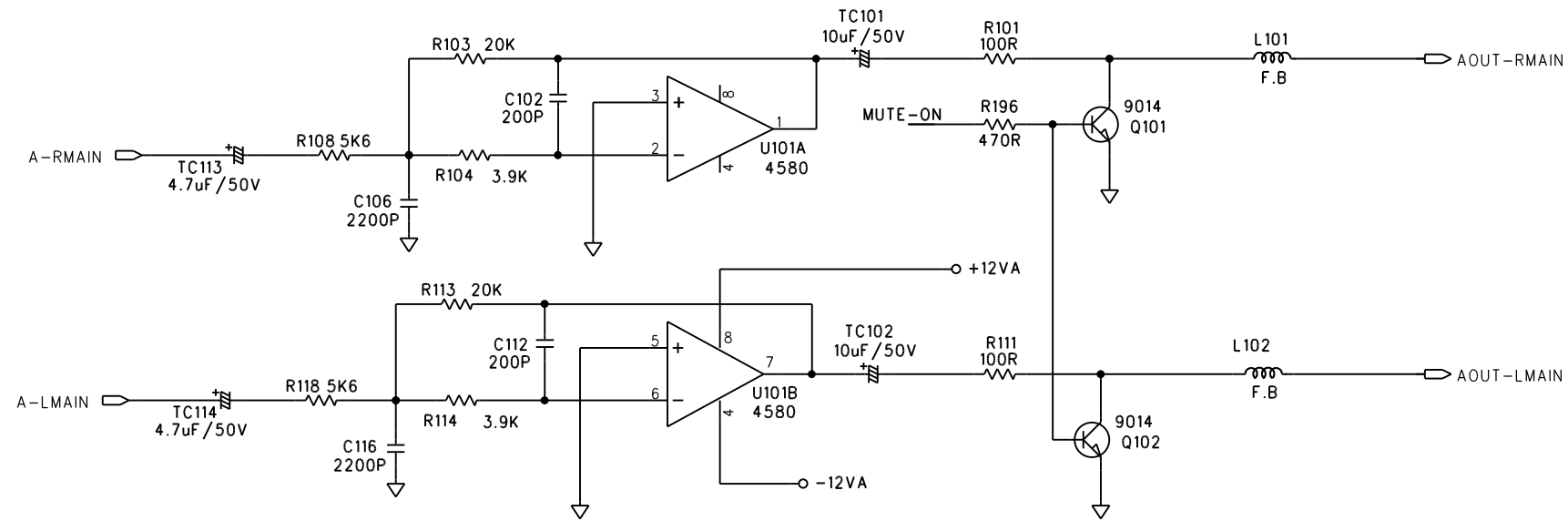
U12
 IDT71024-15
 SOJ-32-300-400

C1610 Configuration Note:
 HD6 = 0 Demultiplexed Bus
 HD7 = 1 16-bit Data Bus
 HD8 = 0 WRH- and WRL- control
 HD[12:11] = 00b 1Mbyte segment length(A0...A19)
 HD15 = 0 CLK divide by1
 HD[9:10] = 00b CS3 is GPIO(HRST)



COMPANY: TONIC ELECTRONIC LTD.				
TITLE: T036z DVD-MPU				
DRAWN: ML CHAU	DATED: 31-AUG-00	CODE:	SIZE:	DRAWING NO: T036z AMP.SCH
CHECKED:	DATED:	RELEASED:	DATED:	REV:
QUALITY CONTROL:	DATED:	SCALE:	SHEET:	OF

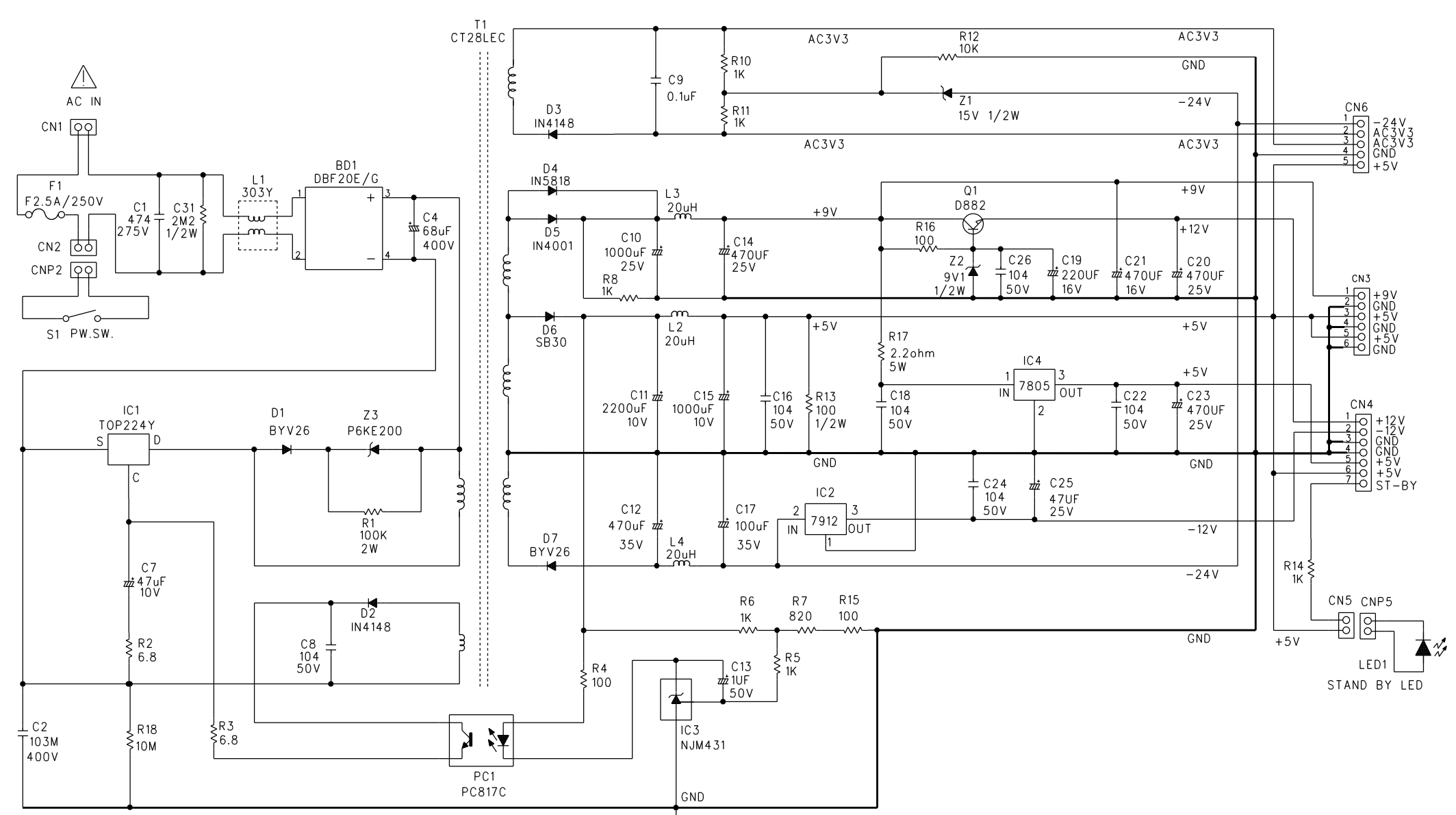
REVISION RECORD			
LTR	ECO NO:	APPROVE	DATE:



**REMARK: T040Z (2-CHANNEL)
ONLY USE A-LMAIN & A-RMAIN**

COMPANY: TONIC ELECTRONIC LTD.	
TITLE: T036Z/T040Z AUDIO OUTPUT CIRCUIT	
DRAWN: M.L.CHAU	DATED: 2-AUG-00
CHECKED:	DATED:
QUALITY CONTROL:	DATED:
RELEASED:	DATED:
CODE:	SIZE:
DRAWING NO:	REV:
D	T036z-OUTPUT.SCH
SCALE:	SHEET:

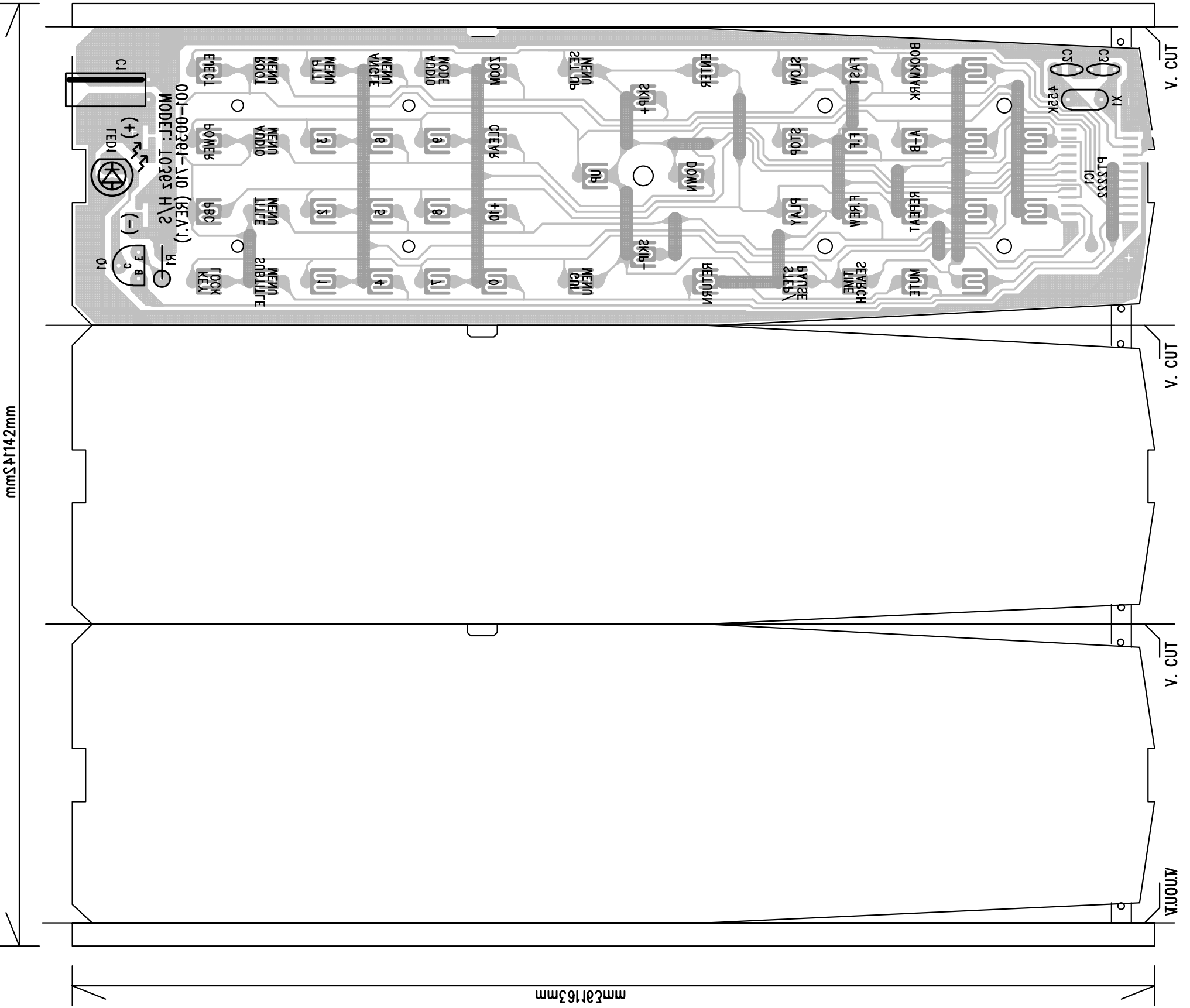
REVISION RECORD			
LTR	ECO NO.	APPROVED	DATE



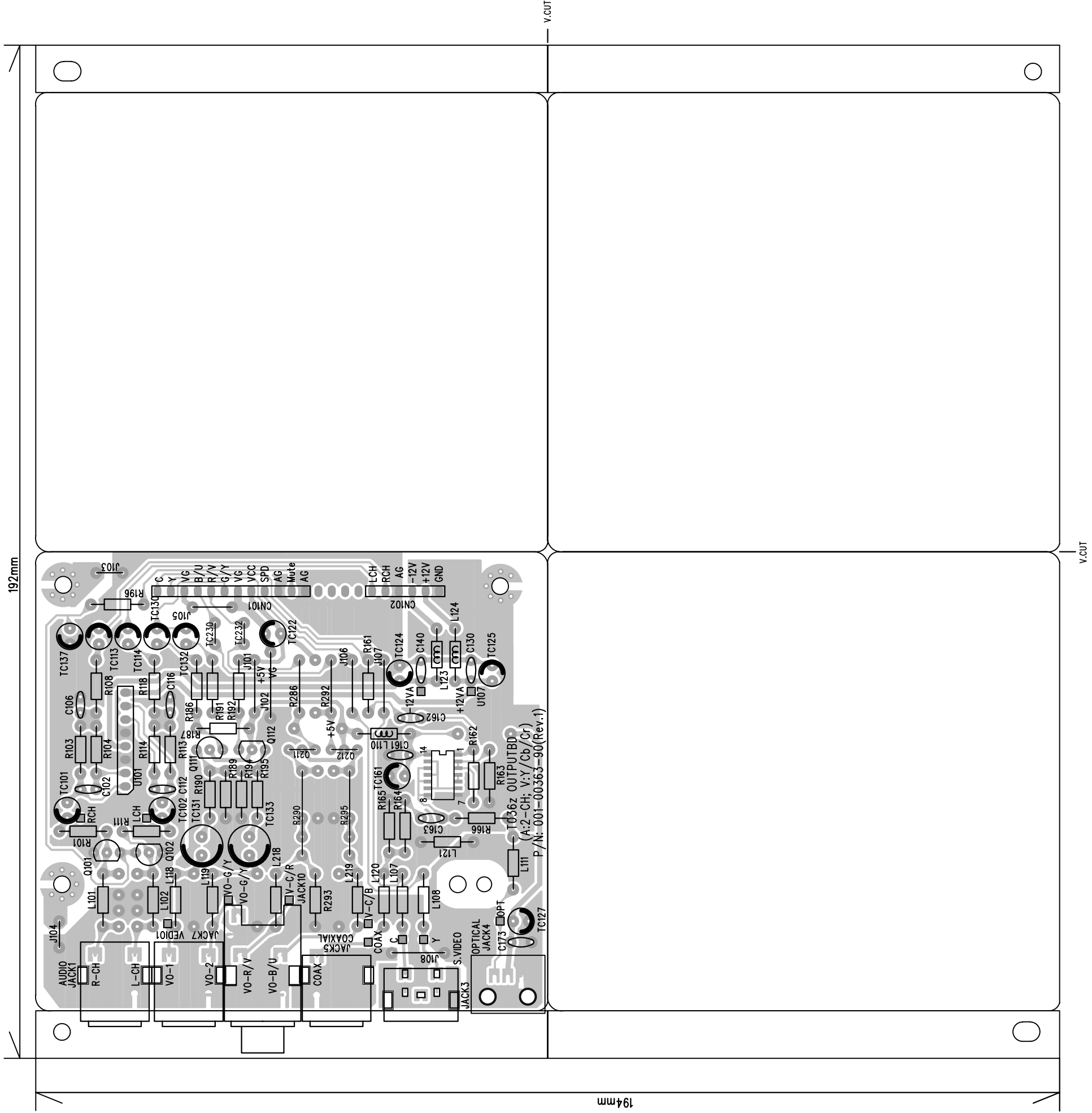
COMPANY:		TONIC ELECTRONIC LTD.	
TITLE:		T-036Z SWITCHING POWER SUPPLY	
DRAWN:	DATED:	CODE:	DRAWING NO:
P.T.LEONG	28-NOV-00		T036z SW POWER.SCH
CHECKED:	DATED:	SCALE:	SHEET: 1 OF 1

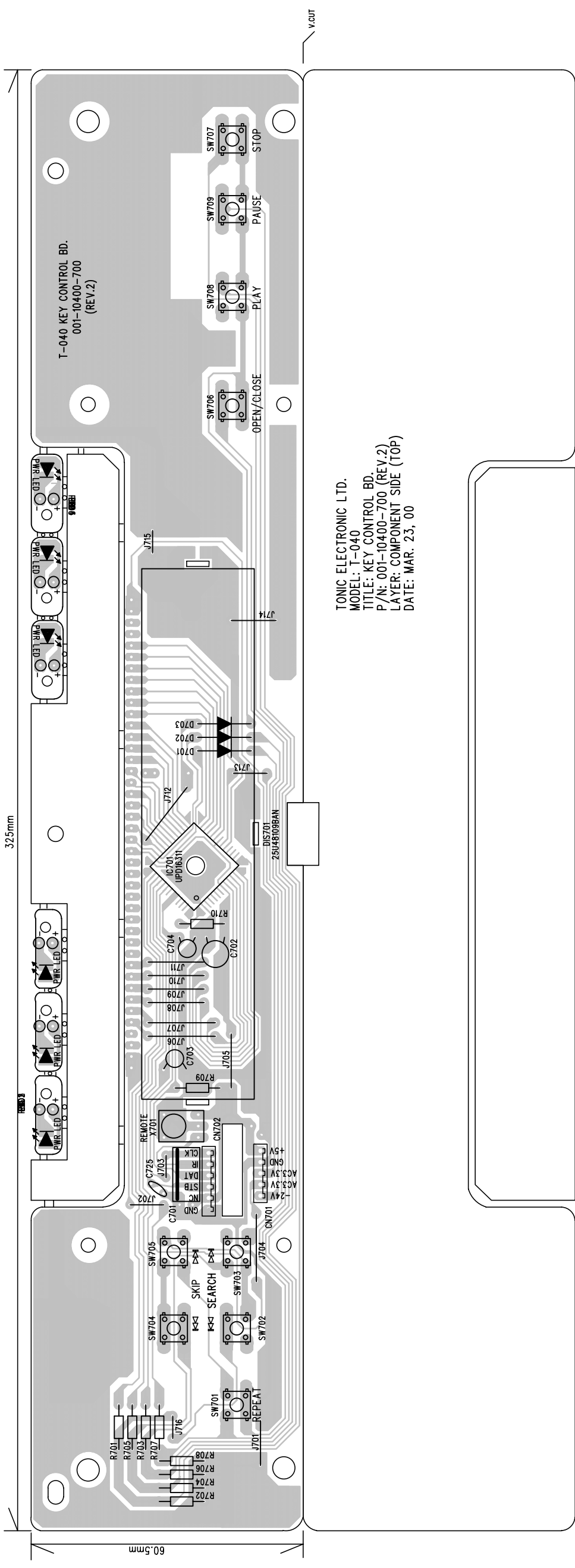
DATE: 18-9-00
 SCALE: 2:1
 LAYER: COMPONENT SIDE (BOTTOM)
 P/N: 001-00361-110 (REV.1)
 TITLE: HAND SET
 MODEL: T-036Z
 TONIC ELECTRONIC LTD.

TONIC ELECTRONIC LTD.
 MODEL: T-036Z
 TITLE: HAND SET
 P/N: 001-00361-710 (REV.1)
 LAYER: COPPER PCB (TOP)
 SCALE: 2:1
 DATE: 18-9-00



TONIC ELECTRONIC LTD.
 MODEL: T036z
 TITLE: T036z OUTPUT BD.
 P/N: 001-00363-900 (Rev1)
 DATE: JAN. 5, 01
 LAYER: COMPONENT SIDE (TOP VIEW)



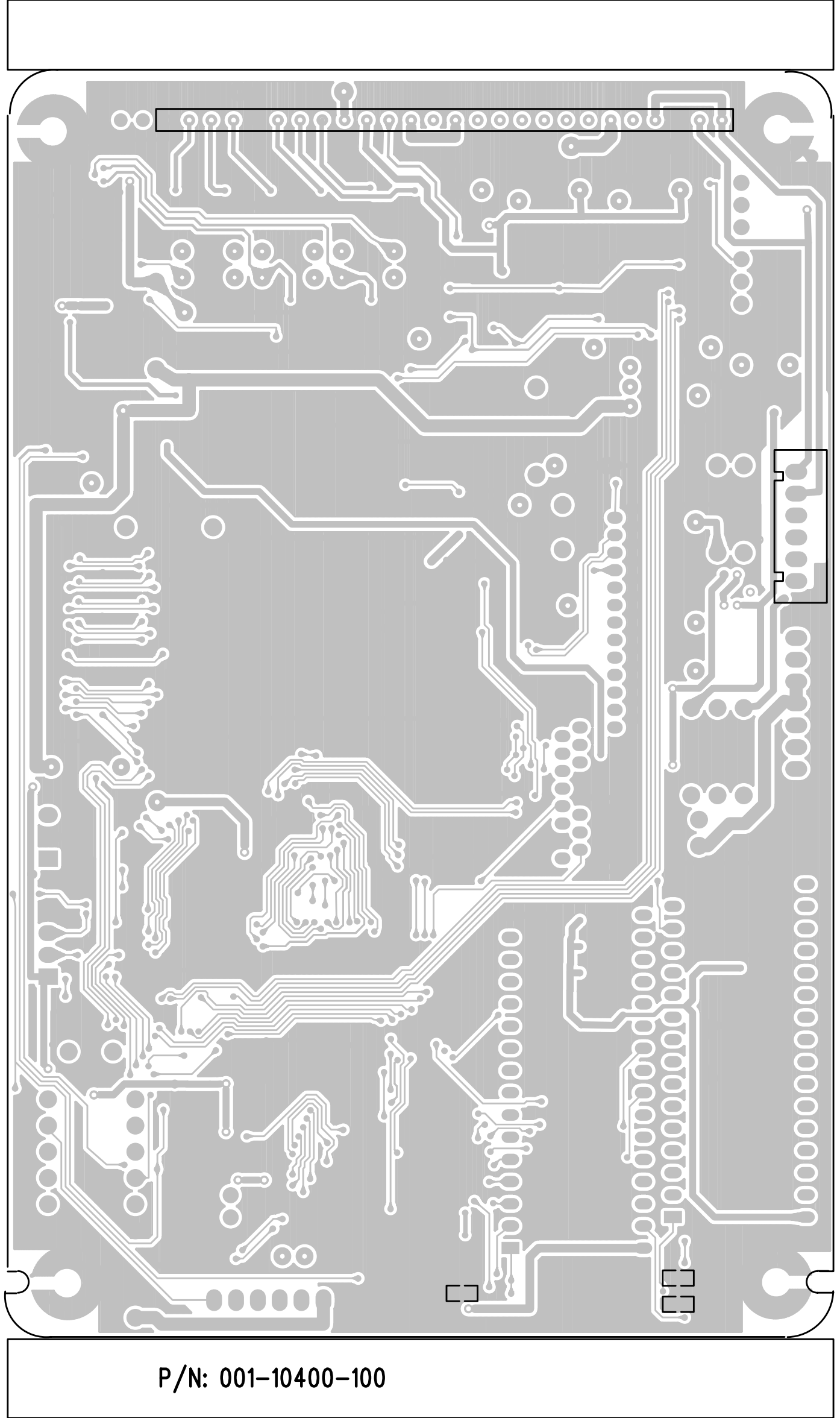


T-040 KEY CONTROL BD.
001-10400-700
(REV.2)

TONIC ELECTRONIC LTD.
MODEL: T-040
TITLE: KEY CONTROL BD.
P/N: 001-10400-700 (REV.2)
LAYER: COMPONENT SIDE (TOP)
DATE: MAR. 23, 00

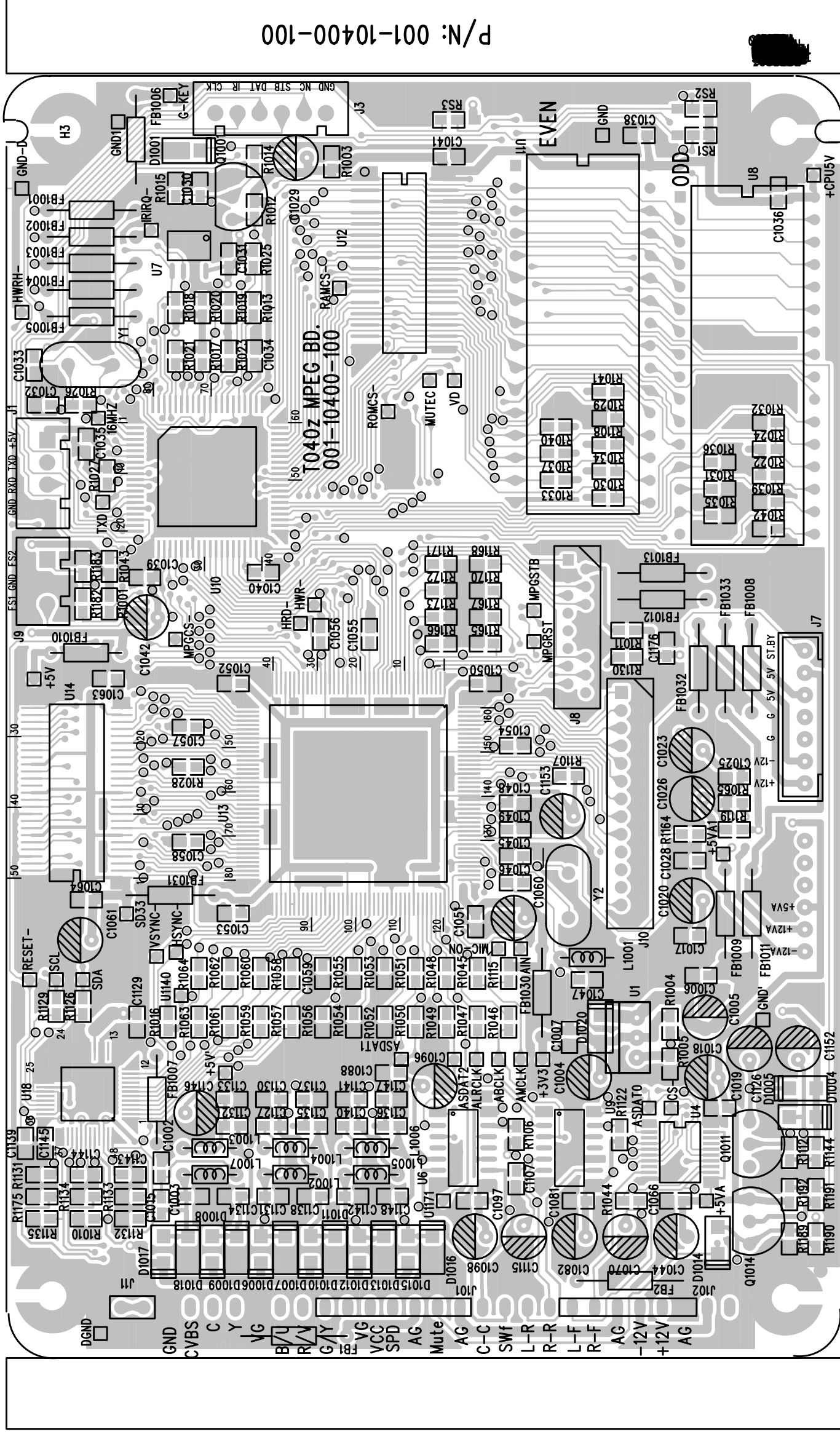
TONIC ELECTRONIC LTD.
MODEL: T-040Z
TITLE: T-040Z MPEG BD.
(IN/OUT BD. & MPEG BD.)
P/N: 001-10400-100 (REV.1)
DATE: Oct. 12, 00
LAYER: 2nd COPPER (BOTTOM VIEW)
MATERIAL: FEBRIC BOARD (1.2mm)

162mm

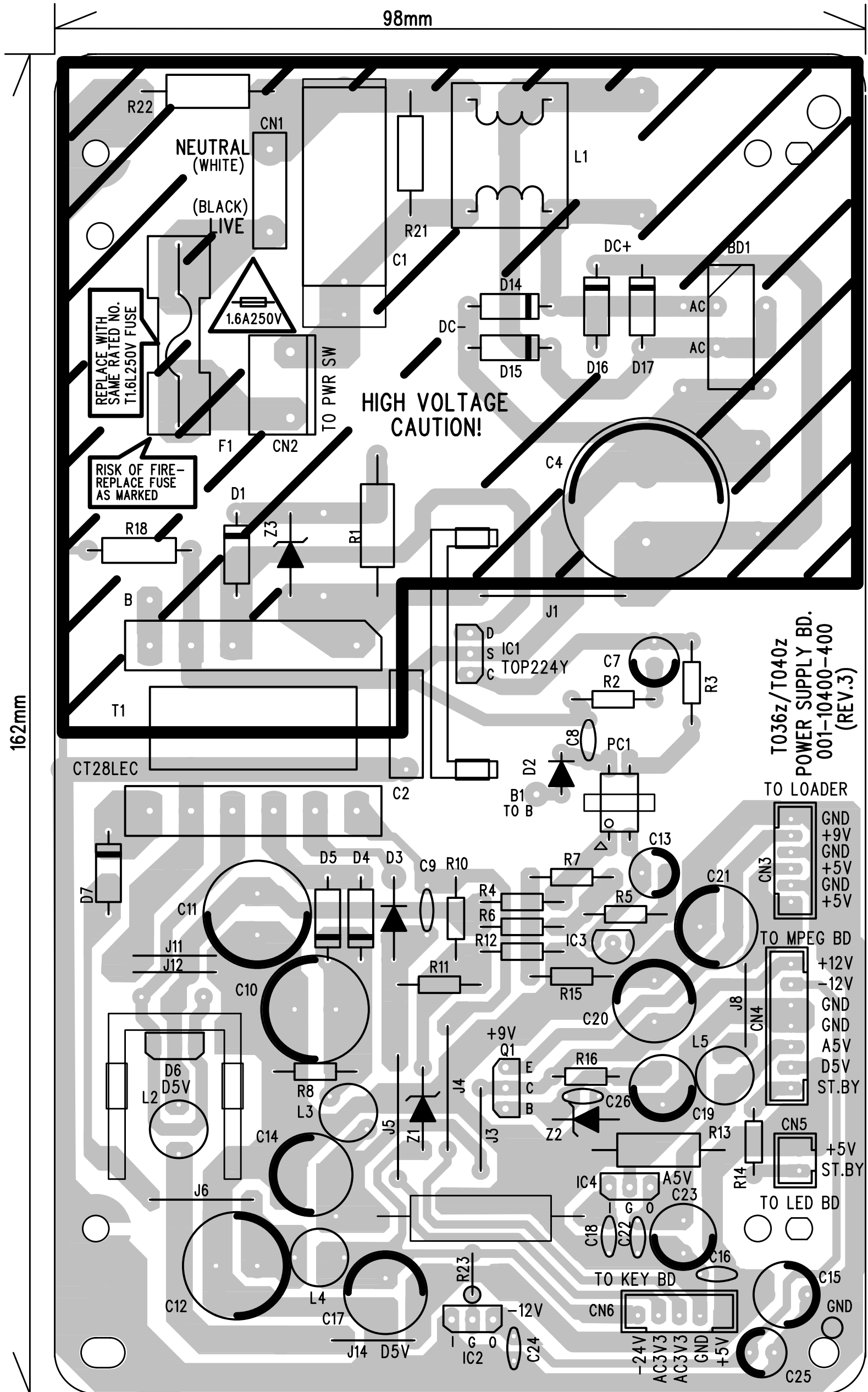


P/N: 001-10400-100

162mm

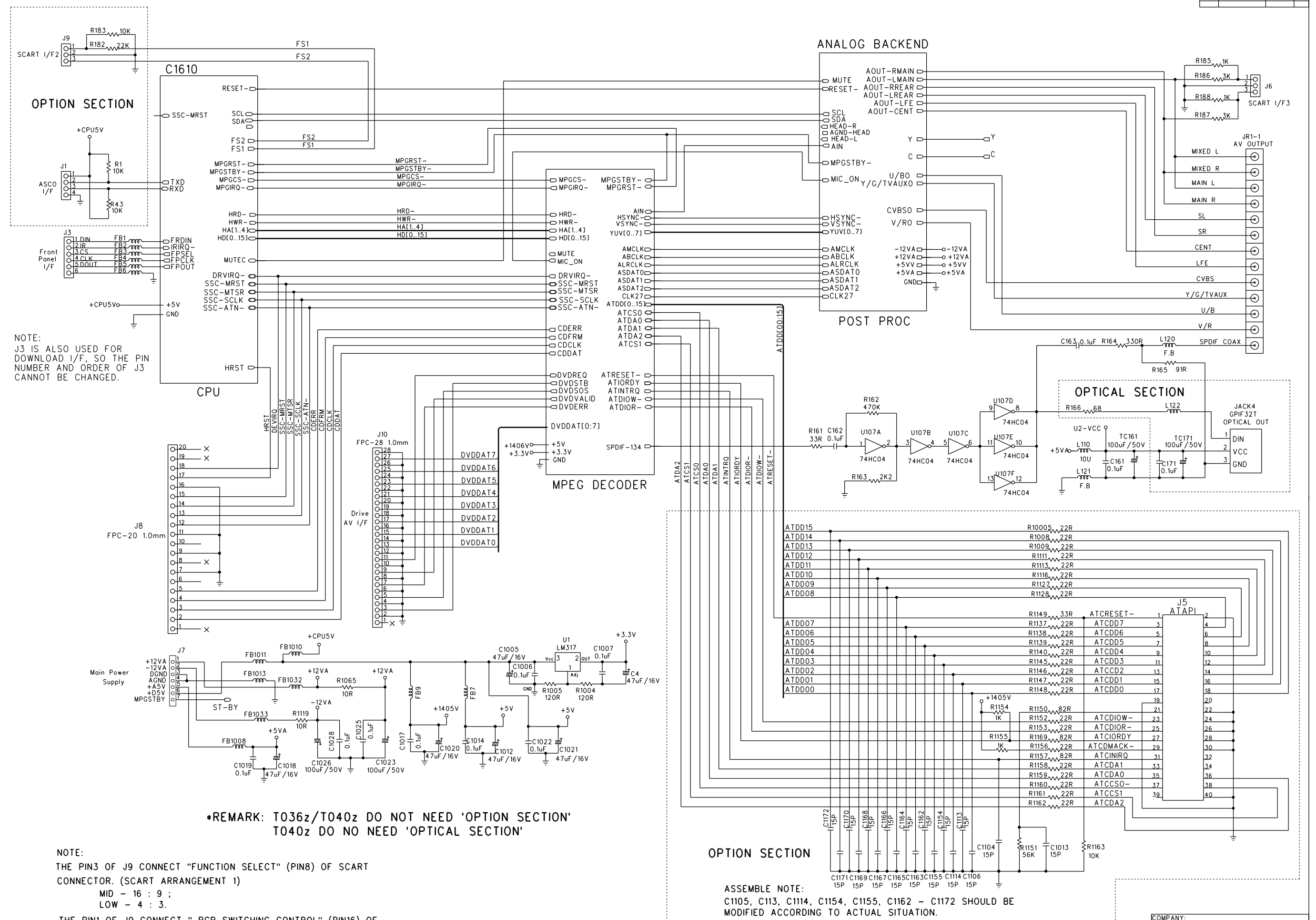


TONIC ELECTRONIC LTD.
MODEL: T040z
TITLE: T040z MPEG BD.
(IN/OUT BD. & MPEG BD.)
P/N: 001-10400-100 (REV.1)
DATE: Oct. 12, 00
LAYER: COMPONENT SIDE (TOP VIEW)
MATERIAL: FIBRIC BOARD (1.2mm)

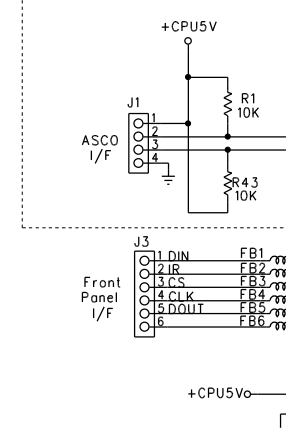


MODEL: T036z/T040z
 TITLE: POWER SUPPLY BD.
 P/N: 001-10400-400 (REV.3)
 DATE: 12-10-00
 COMPONENT SIDE (TOP VIEW)

REVISION RECORD		
LT#	ECO NO.	APPROVAL



OPTION SECTION



NOTE:
J3 IS ALSO USED FOR
DOWNLOAD I/F, SO THE PIN
NUMBER AND ORDER OF J3
CANNOT BE CHANGED.

***REMARK: T036z/T040z DO NOT NEED 'OPTION SECTION'
T040z DO NO NEED 'OPTICAL SECTION'**

NOTE:
THE PIN3 OF J9 CONNECT "FUNCTION SELECT" (PIN8) OF SCART
CONNECTOR. (SCART ARRANGEMENT 1)
MID - 16 : 9 ;
LOW - 4 : 3.
THE PIN1 OF J9 CONNECT " RGB SWITCHING CONTROL" (PIN16) OF
SCART CONNECTOR. (SCART ARRANGEMENT 1)
HIGH - RGB
LOW - COMPOSITE

OPTION SECTION

ASSEMBLE NOTE:
C1105, C113, C114, C1154, C1155, C1162 - C1172 SHOULD BE
MODIFIED ACCORDING TO ACTUAL SITUATION.

COMPANY: TONIC ELECTRONIC LTD.	
TITLE: T036z/T040z CONNECTION CIRCUIT	
DRAWN:	DATED:
CHECKED:	DATED:
QUALITY CONTROL:	DATED:
RELEASED:	DATED:
CODE:	SIZE:
DRAWING NO:	REV:
T-036Z CONNECTION.SCH	
SCALE:	SHEET: OF

6

5

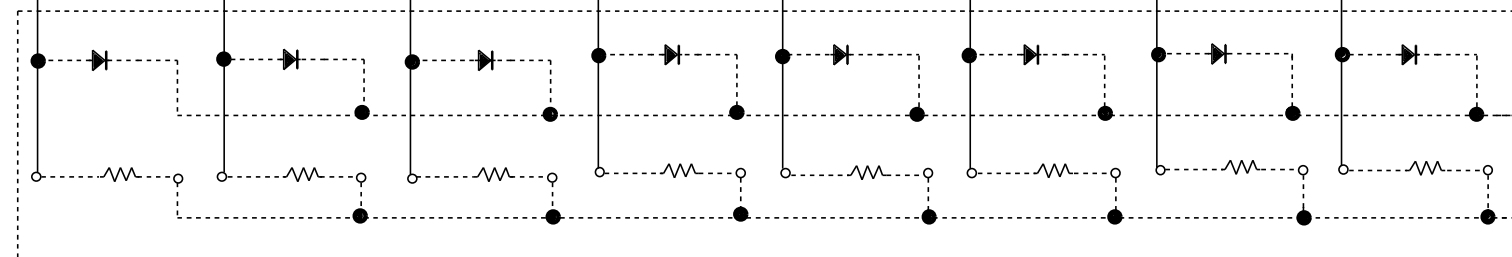
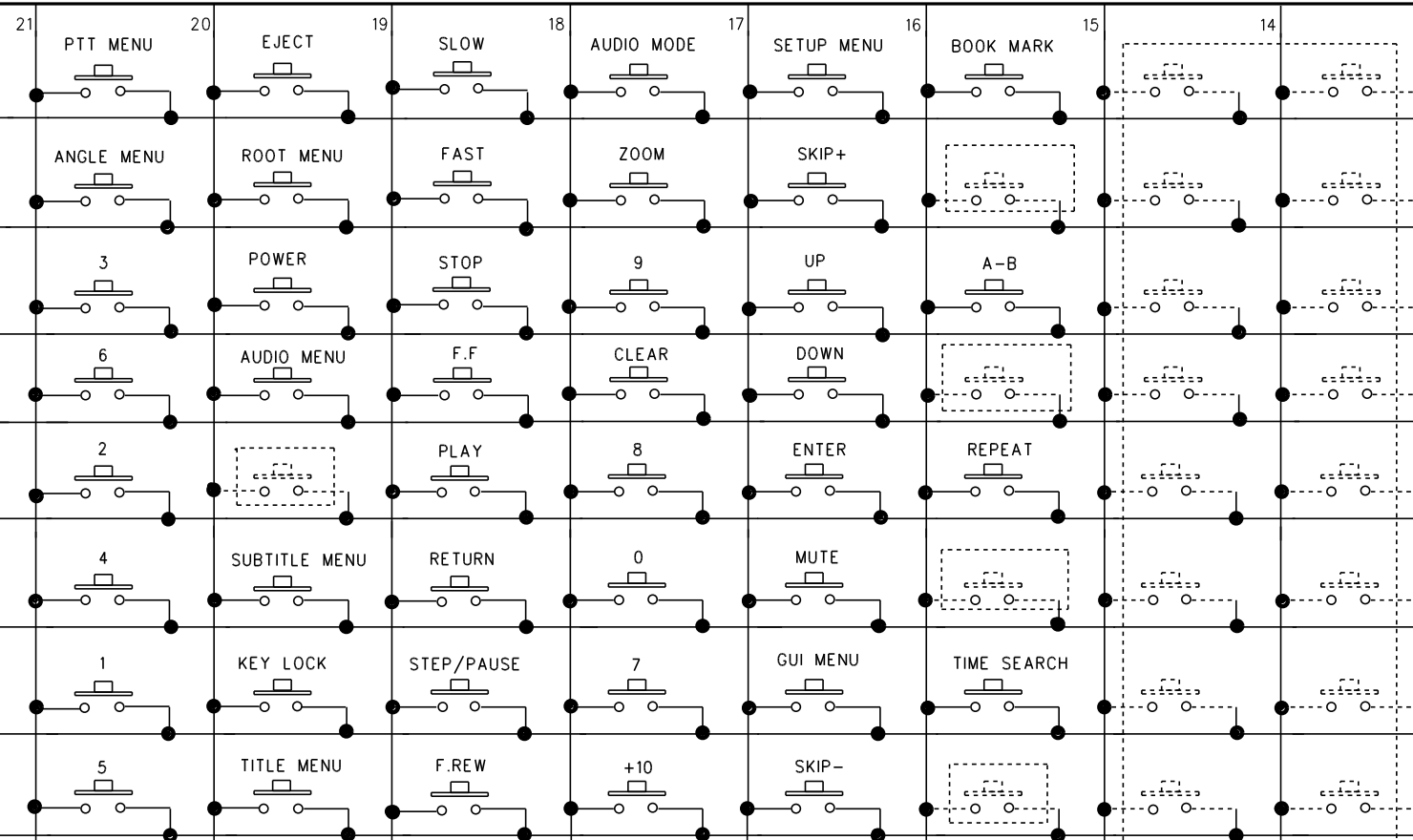
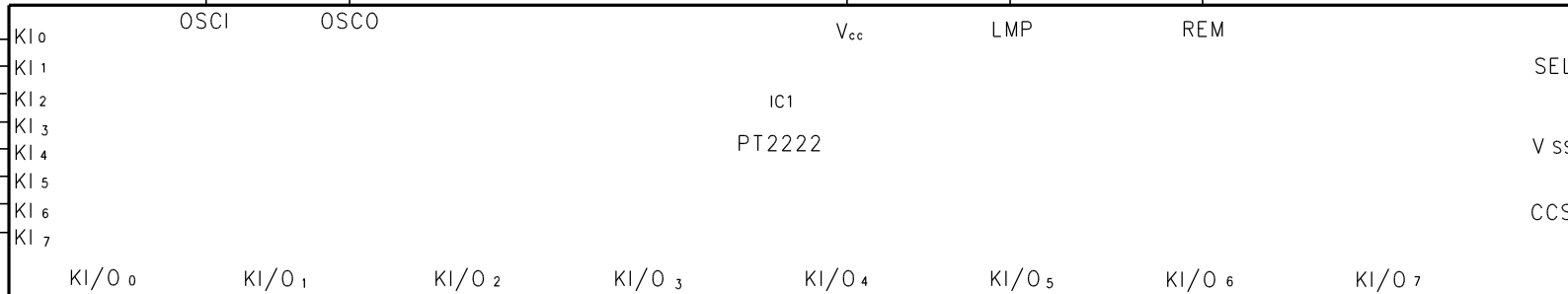
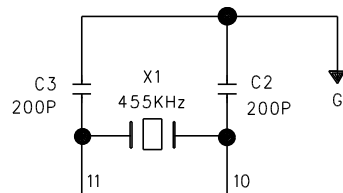
4

3

2

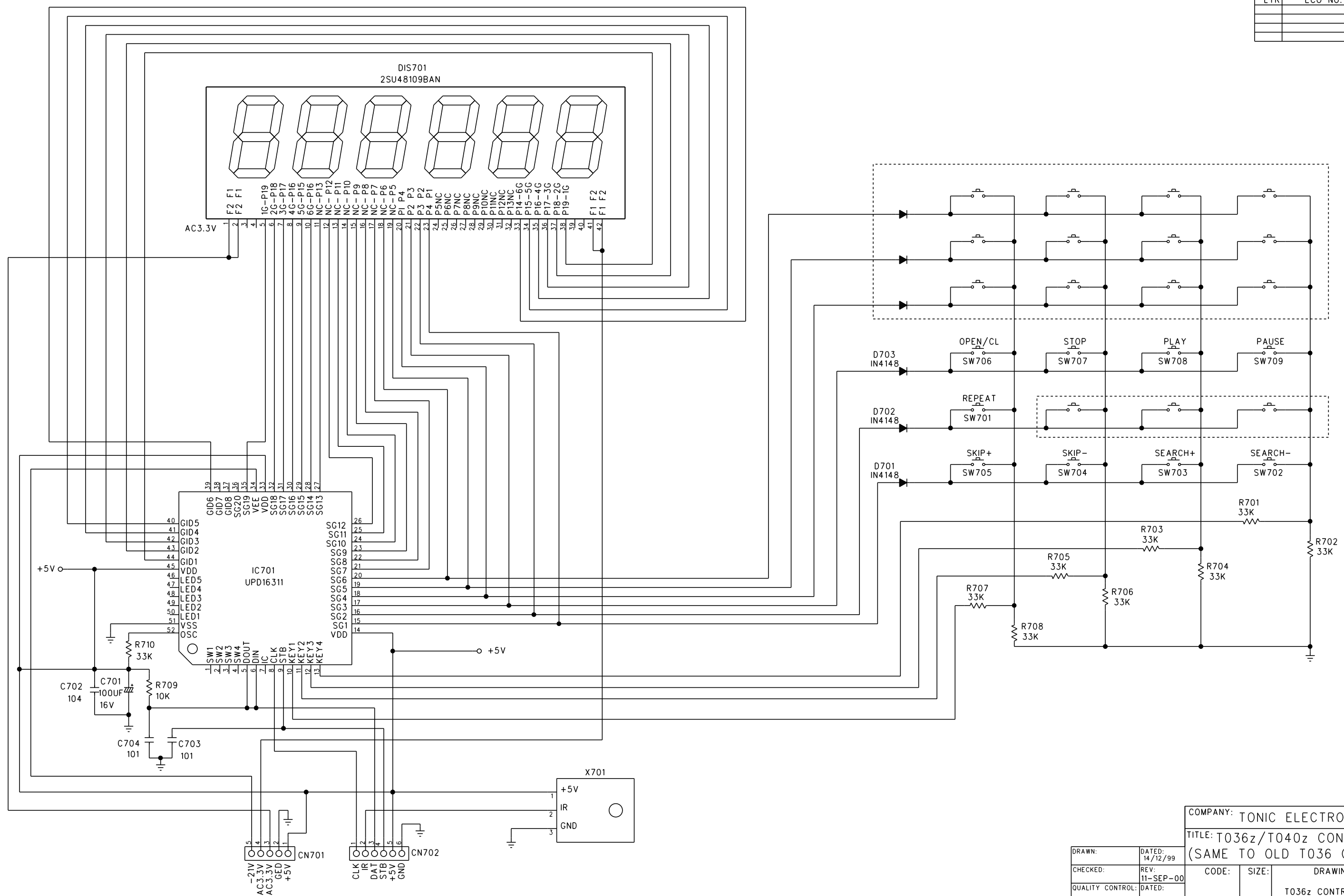
1

REVISION RECORD			
LTR	ECO NO:	APPROVED:	DATE:



COMPANY: TONIC ELECTRONIC LTD.			
TITLE: T036z REMOTE H/S (SAME TO OLD T036 HS)			
DRAWN:	DATED: 1/02/00	CODE:	SIZE:
CHECKED:	DATED:	DRAWING NO: T036z HS.SCH	
QUALITY CONTROL:	DATED:	REV: (2)	
RELEASED:	DATED:	SCALE:	SHEET: OF

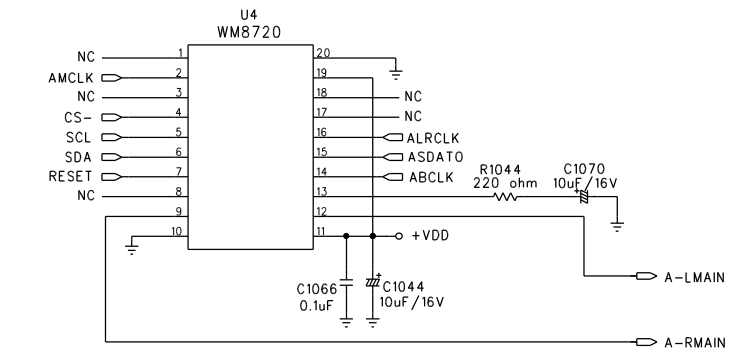
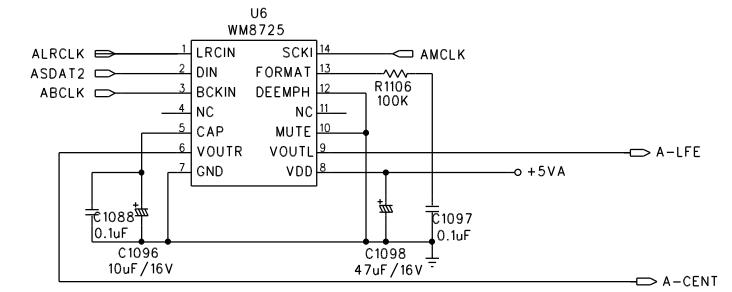
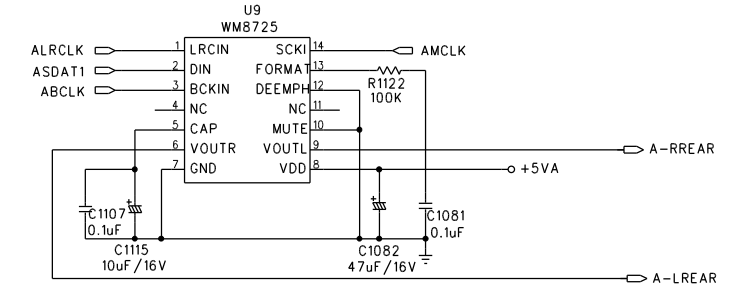
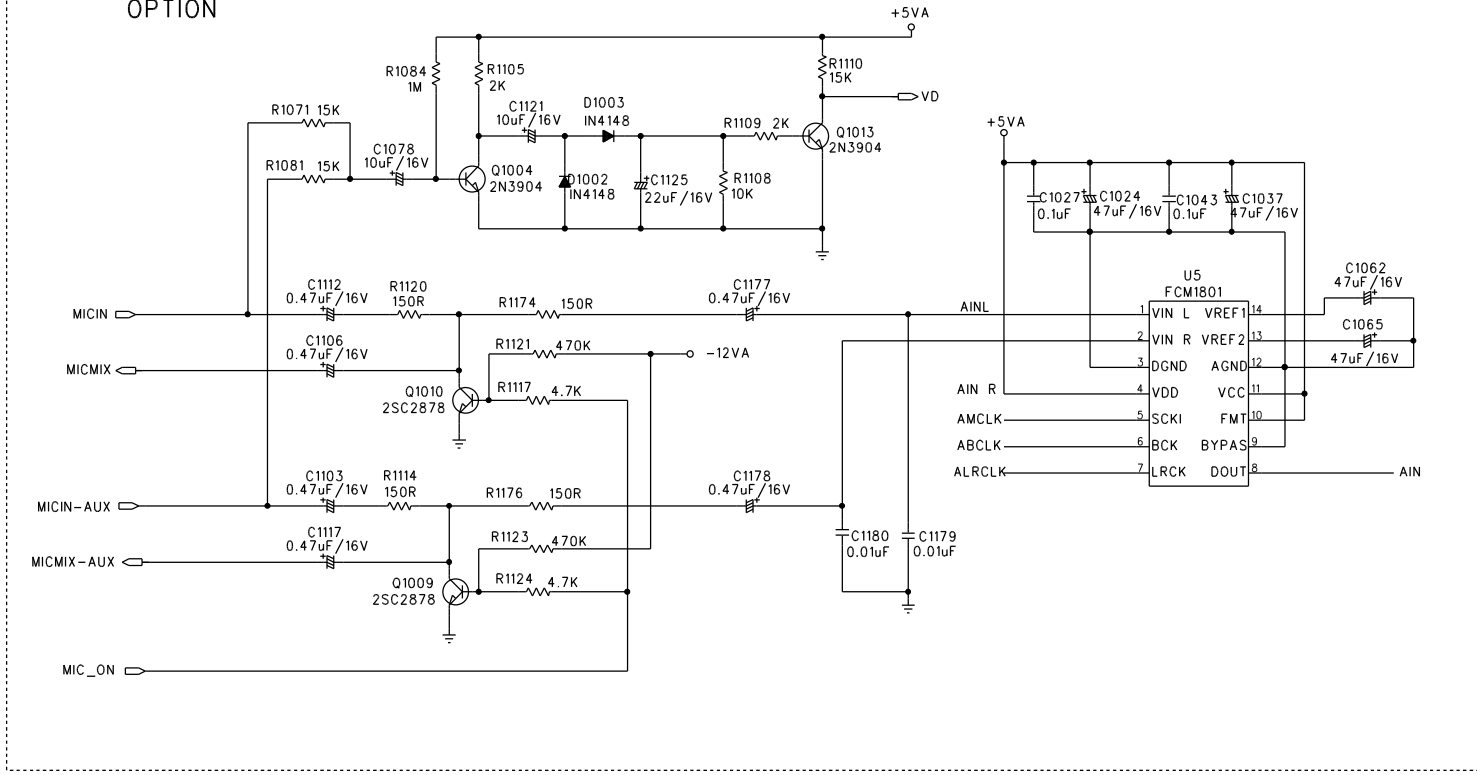
REVISION RECORD			
LTR	ECO NO:	APPROV	DATE



COMPANY: TONIC ELECTRONIC LTD.			
TITLE: T036z/T040z CONT CIRCUIT (SAME TO OLD T036 CONTROL)			
DRAWN:	DATED: 14/12/99	CODE:	SIZE:
CHECKED:	REV: 11-SEP-00	DRAWING NO: T036z CONTROL.SCH	
QUALITY CONTROL:	DATED:	SCALE:	
RELEASED:	DATED:	SHEET: 1 OF 1	

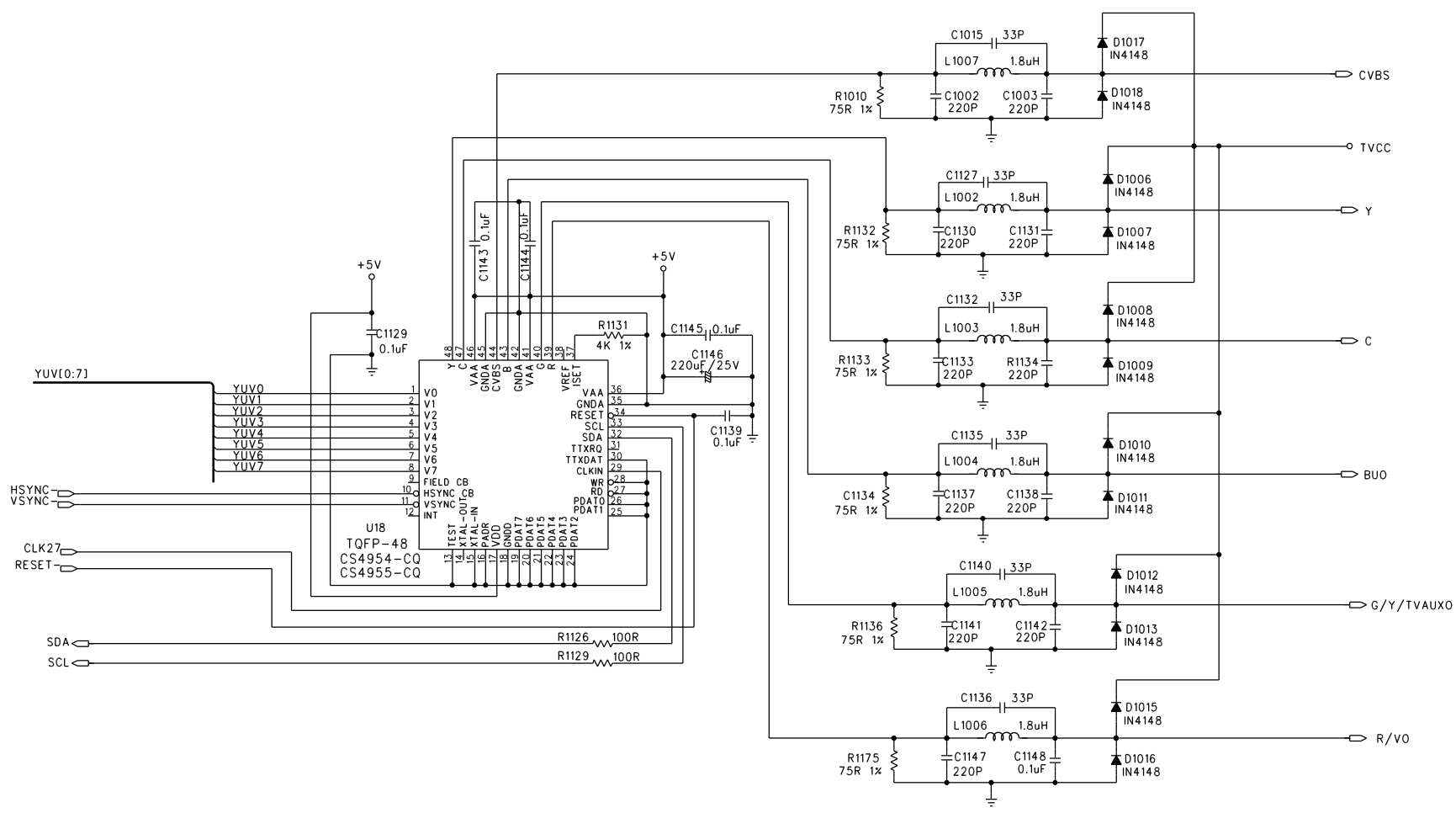
REVISION RECORD		
LT#	ECO NO.	APPROVAL

OPTION



*REMARK: T040z DO NOT NEED U6,U9
T036z/T040z DO NOT NEED 'OPTION' SECTION

NOTE:
1. C1007,C1081,C1088,C1097,C1066,C1073
Should be positioned as close to the
responding IC as possible.
2. Capacitor types should be carefully
chosen. Capacitors with very low ESR
are recommended for optimum performance.
3. C1115,C1096,C1070 should use Tantalum capacitor.



COMPANY:		TONIC ELECTRONIC L.T.E.	
TITLE:		T036z/T040z DVD-DAC	
DRAWN:	31-AUG-00	DATE:	
CHECKED:		DATE:	
QUALITY CONTROL:		CODE:	
RELEASED:		SIZE:	
		DRAWING NO:	
		T036z AMP.SCH	
		SCALE:	
		SHEET:	

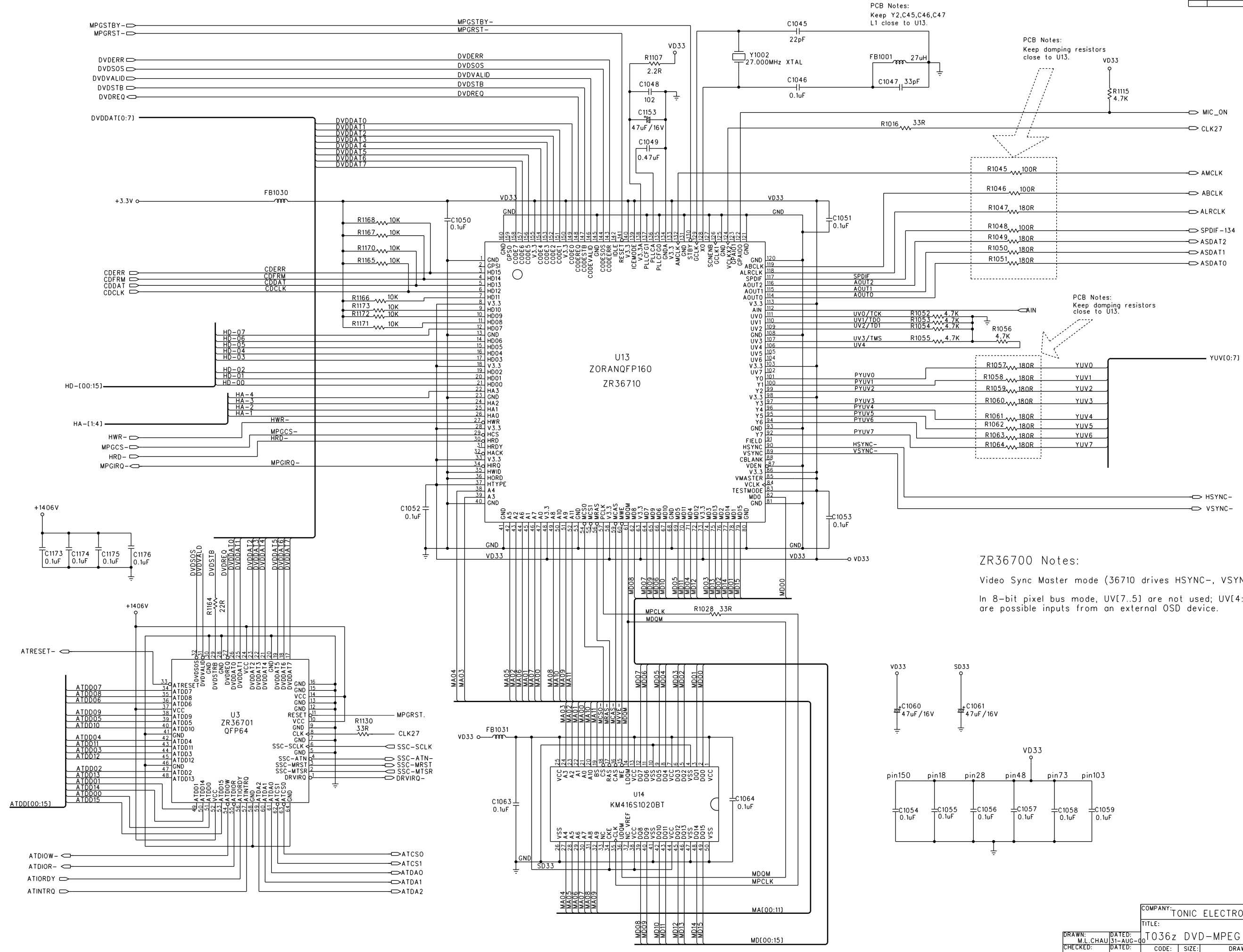
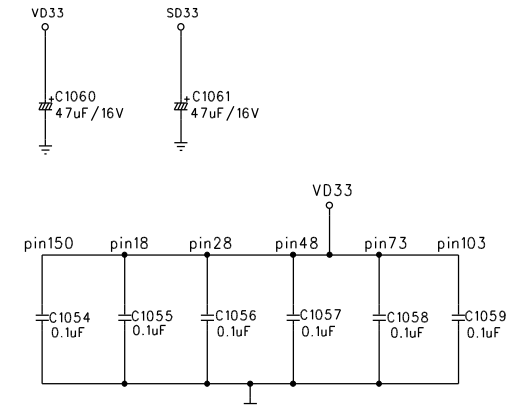
REVISION RECORD		
LTR	ECO NO.	APPROVAL

PCB Notes:
Keep Y2,C45,C46,C47
L1 close to U13.

PCB Notes:
Keep damping resistors
close to U13.

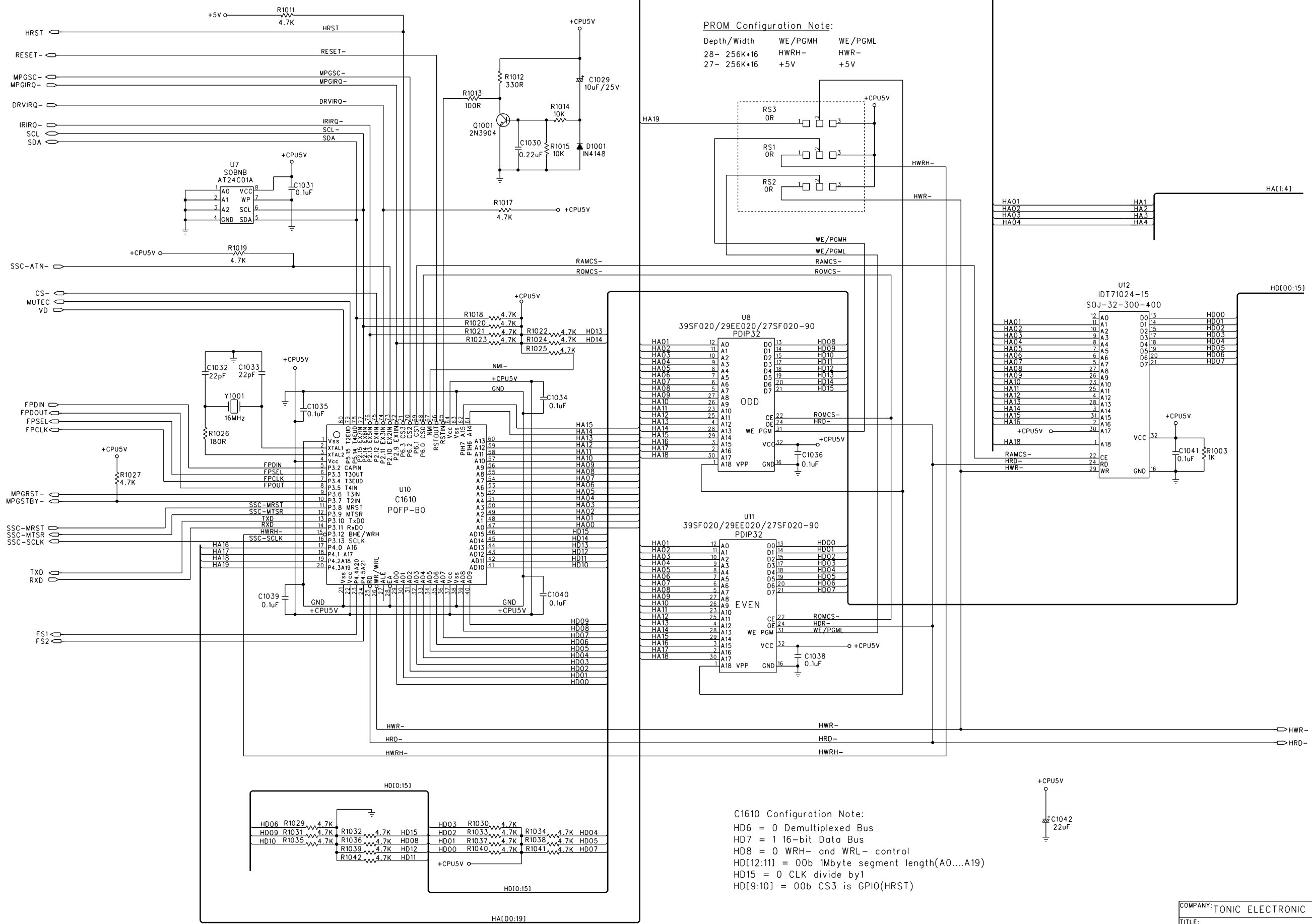
PCB Notes:
Keep damping resistors
close to U13.

ZR36700 Notes:
Video Sync Master mode (36710 drives HSYNC-, VSYNC-)
In 8-bit pixel bus mode, UV[7..5] are not used; UV[4:0]
are possible inputs from an external OSD device.



COMPANY:		TONIC ELECTRONIC LTD.	
TITLE:		T036z DVD-MPEG DECODER	
DRAWN:	DATED:	CODE:	SIZE:
M.L. CHAU	31-AUG-00		
CHECKED:	DATED:	DRAWING NO: T036z AMP.SCH	
QUALITY CONTROL:	RELEASED:	REV:	
		SHEET: OF	

REVISION RECORD		
LTR	ECO NO.	APPROVAL



PROM Configuration Note:
 Depth/Width WE/PGMH WE/PGML
 28- 256K*16 HWRH- HWR-
 27- 256K*16 +5V +5V

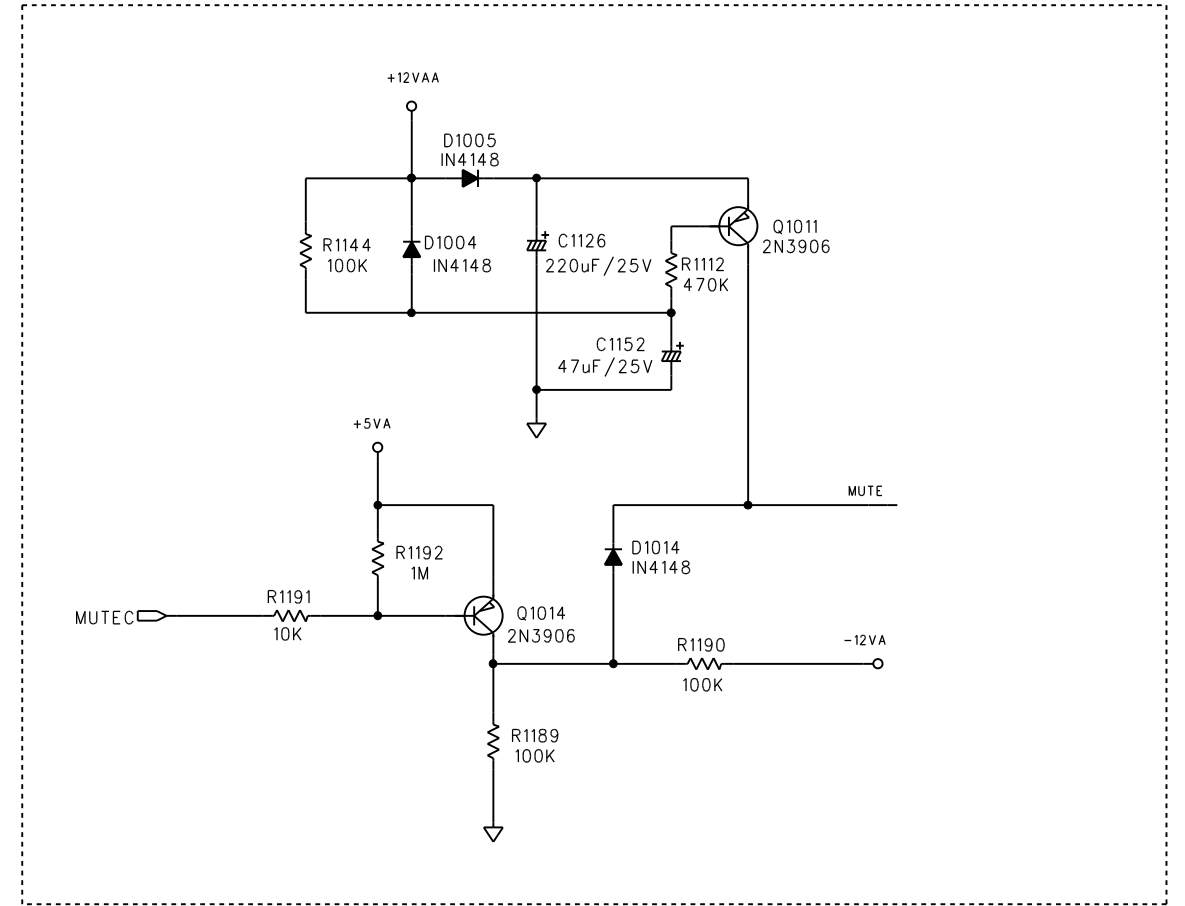
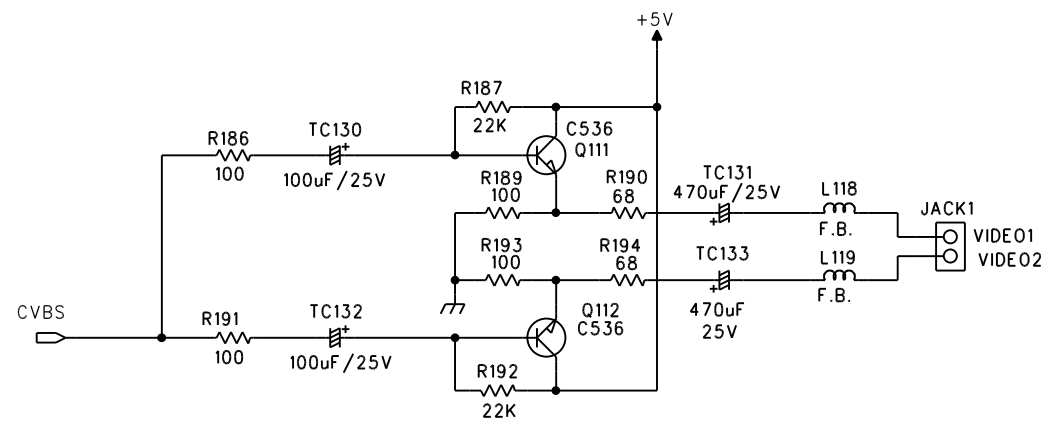
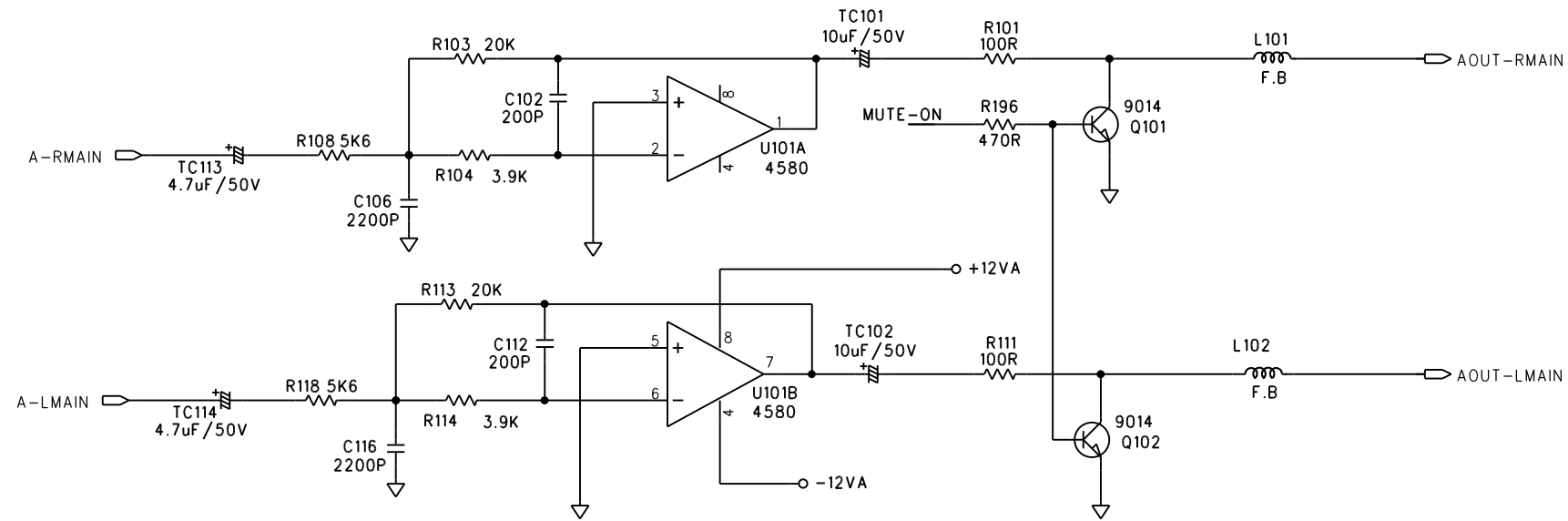
U8
 39SF020/29EE020/27SF020-90
 PDIP32

U11
 39SF020/29EE020/27SF020-90
 PDIP32

C1610 Configuration Note:
 HD6 = 0 Demultiplexed Bus
 HD7 = 1 16-bit Data Bus
 HD8 = 0 WRH- and WRL- control
 HD[12:11] = 00b 1Mbyte segment length(A0...A19)
 HD15 = 0 CLK divide by1
 HD[9:10] = 00b CS3 is GPIO(HRST)

COMPANY: TONIC ELECTRONIC LTD.			
TITLE: T036z DVD-MPU			
DRAWN: ML CHAU	DATED: 31-AUG-00	CODE:	SIZE:
CHECKED:	DATED:	DRAWING NO: T036z AMP.SCH	REV:
QUALITY CONTROLLED:	DATED:	SCALE:	SHEET: OF
RELEASED:	DATED:		

REVISION RECORD			
LTR	ECO NO:	APPROVE	DATE:



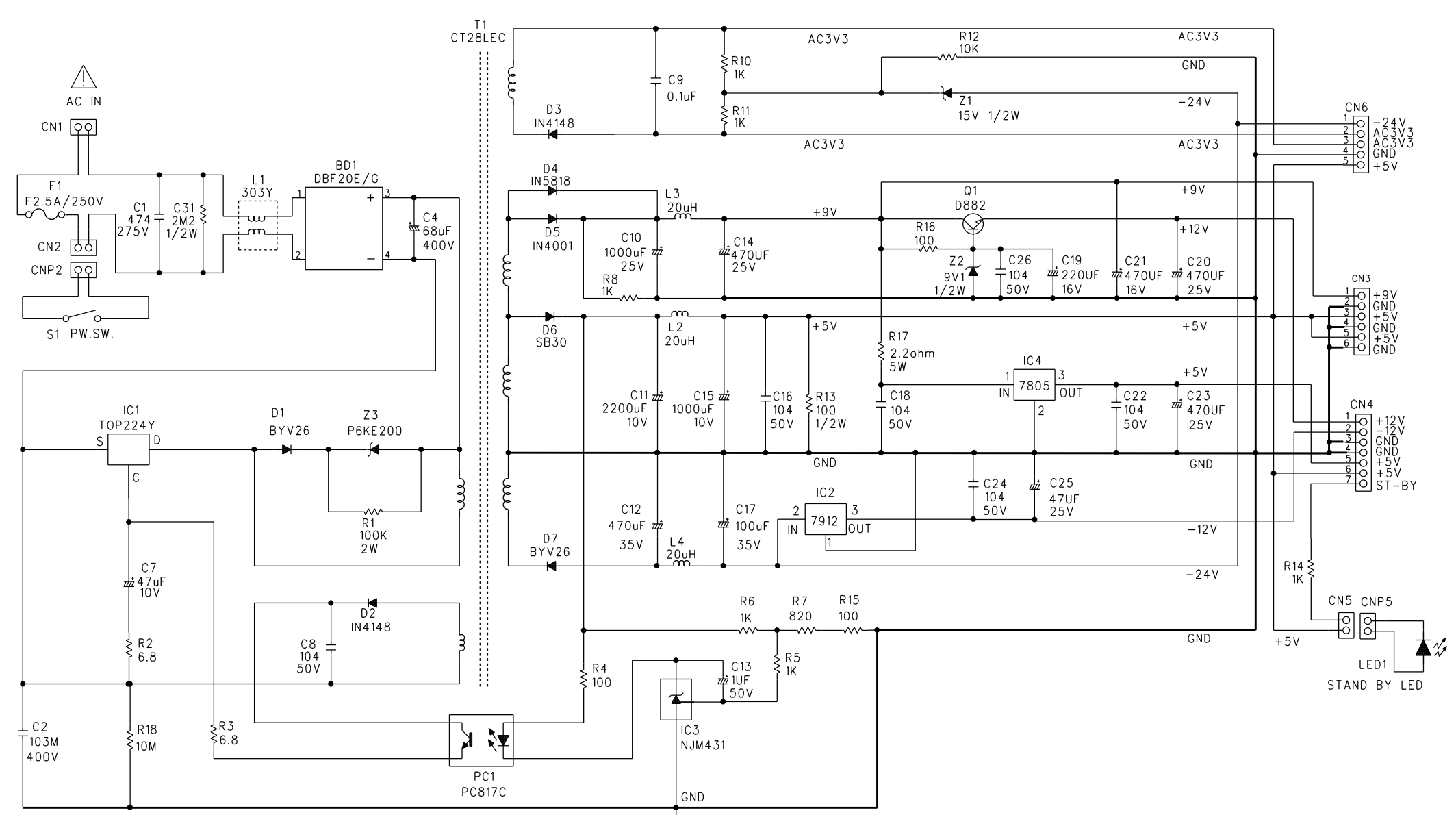
REMARK: T040Z (2-CHANNEL)
ONLY USE A-LMAIN & A-RMAIN

COMPANY: TONIC ELECTRONIC LTD.

TITLE: T036Z/T040Z
AUDIO OUTPUT CIRCUIT

DRAWN: M.L.CHAU	DATED: 2-AUG-00	CODE:	SIZE:	DRAWING NO:	REV:
CHECKED:	DATED:	D		T036z-OUTPUT.SCH	
QUALITY CONTROL:	DATED:				
RELEASED:	DATED:				
SCALE:				SHEET:	

REVISION RECORD			
LTR	ECO NO.	APPROVED	DATE



COMPANY:		TONIC ELECTRONIC LTD.	
TITLE:		T-036Z SWITCHING POWER SUPPLY	
DRAWN:	DATED:	CODE:	DRAWING NO:
P.T.LEONG	28-NOV-00		
CHECKED:	DATED:	SIZE:	REV:
QUALITY CONTROL:	DATED:	T036z SW POWER.SCH	
RELEASED:	DATED:	SCALE:	SHEET: 1 OF 1